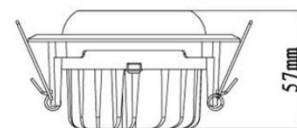
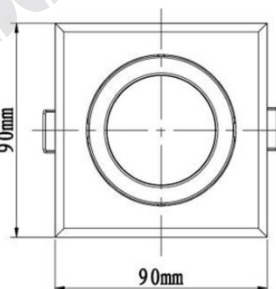
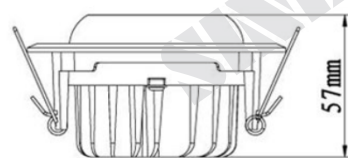
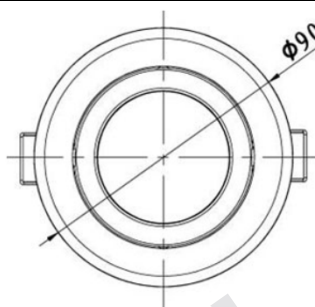


Data Specification:



Performance & parameter of product

Model No.	Part Number	OT1630R-5W	OT1630S-5W
Performance Parameter	Lamp	Warm white/Natural white/Cool white	
	Lumen (lm)	320lm/350lm/380lm	320lm/350lm/380lm
	Color temperature (K)	3000K/4200K/6500K	
	CRI	≥70	≥70
	Type of LED	COB LED	COB LED
	Beam angle	87°	87°
	Decay rate (%)	less than 3% within 1000 working hours	
	Total power (W)	5-6W	5-6W
	Lifespan (Hrs)	≥30000Hrs	≥30000Hrs
	High voltage testing	1750Vac/1min	1750Vac/1min
LED parameter	Lighting efficiency	100LM/W	100LM/W
	Chip quantity	25Pcs	25Pcs
	Series-parallel way	5S5P	5S5P
	Voltage	15-17VDC	15-17VDC
	Current	300mA	300mA
Driver Parameter	Input parameter	100~240VAC, 50/60Hz	
	Power factor	0.5	0.5
	Output parameter	9-18VDC, 300mA	9-18VDC, 300mA
Structure Parameter	Material	Cast-Aluminium	Cast-Aluminium
	Dimension	Φ90*57mm	90*90*57mm
	Cut-out	Φ80mm	Φ80mm
	Protection class	calss I	calss I
	Ingress Protection	IP20	IP20
Environment Parameter	Application	Hotel,Home-lighting,Recreation place, Supermarket, Office building	
	Operating temperature	-25℃ ~ 50℃、10% ~ 90% R.H.	
	Storage temperature	-30℃ ~ 85℃、0% ~ 95% R.H.	
Packing Specification	Quantity NW/GW	50 pcs 13.8/15.8Kg	50 pcs 14.5/16.5Kg
	Carton size:	52.5x21.5x35 cm	57.5x20.5x32.5 cm



OT1630R-5W

OT1630S-5W

* Others data not in the specification of data, please contact us.

如果你要求的規格參數不在本規格書裡表現出來請與我們聯絡。