

SINLOON®

LED 筒燈/天花燈

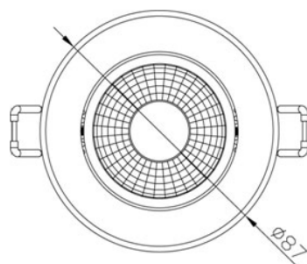
LED Down Light - 09

Data Specification:

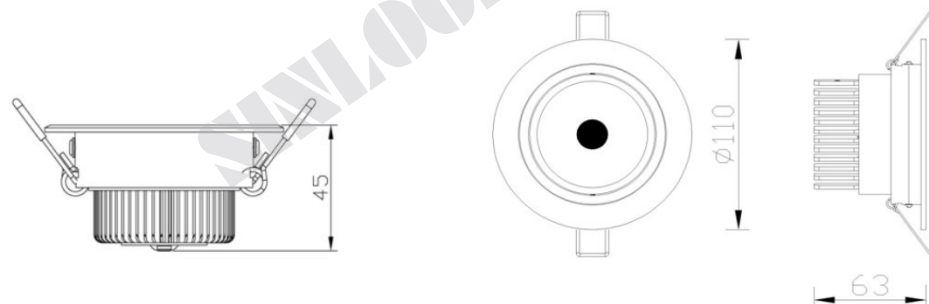


Performance & parameter of product

Model No.	Part Number	OT0930-5W	OT0940-10W
Performance Parameter	Lamp	Warm white/Natural white/Cool white	
	Lumen (lm)	320lm/350lm/380lm	580lm/600lm/630lm
	Color temperature (K)	3000K/4200K/6500K	3000K/4000K/5000K
	CRI	≥70	≥80
	Type of LED	COB LED	COB LED
	Beam angle	87°	21°
	Decay rate (%)	less than 3% within 1000 working hours	
	Total power (W)	5-6W	10-14W
	Lifespan (Hrs)	≥30000Hrs	≥30000Hrs
	High voltage testing	1750Vac/1min	1750Vac/1min
LED parameter	Lighting efficiency	100LM/W	100LM/W
	Chip quantity	25Pcs	18Pcs
	Series-parallel way	5S5P	6S3P
	Voltage	15-17VDC	18-20VDC
	Current	300mA	550mA
Driver Parameter	Input parameter	100~240VAC · 50/60Hz	
	Power factor	0.5	0.9
	Output parameter	9-18VDC, 300mA	17-22VDC, 550mA
Structure Parameter	Material	Cast-Aluminium	Cast-Aluminium
	Dimension	Φ87*47mm	Φ110*63mm
	Cut-out	Φ80mm	Φ95mm
	Protection class	calss II	calss II
	Ingress Protection	IP20	IP20
Environment Parameter	Application	Hotel,Home-lighting,Recreation place, Supermarket, Office building	
	Operating temperature	-25℃ ~ 50℃ · 10% ~ 90% R.H.	
	Storage temperature	-30℃ ~ 85℃ · 0% ~ 95% R.H.	
Packing Specification	Quantity NW/GW	50 pcs 8.2/10.2Kg	50 Pcs 9.5/12Kg
	Carton size:	52.5x21.5x35 cm	



OT0930-5W



OT0940-10W

* Others data not in the specification of data, please contact us.

如果你要求的規格參數不在本規格書裡表現出來請與我們聯絡。