

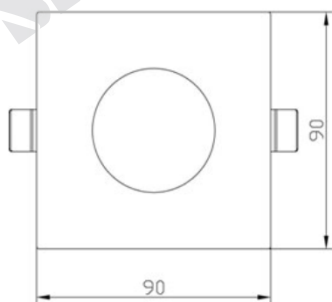
LED Down Light - 28

Data Specification:

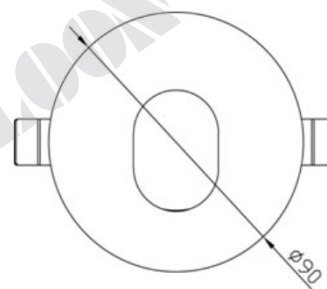
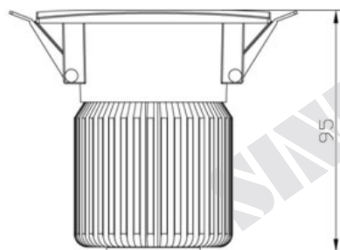


Performance & parameter of product

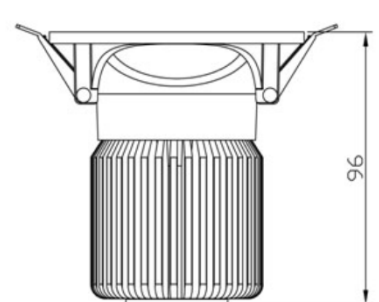
Model No.	Part No.	OT2830-13W	OT2930-13W
Performance Parameter	Lamp	Warm white/Natural white/Cool white	
	Lumen (lm)	820lm/860lm/900 lm	550lm/580lm/600lm
	Color temperature (K)	3000K/4200K/6500K	
	CRI	≥80	≥80
	Type of LED	COB LED	COB LED
	Beam angle	21°	21°
	Decay rate (%)	less than 3% within 1000 working hours	
	Total power (W)	13-14W	13-14W
	Lifespan (Hrs)	≥30000Hrs	≥30000Hrs
	High voltage testing	1750Vac/1min	1750Vac/1min
LED parameter	Lighting efficiency	100LM/W	100LM/W
	Chip quantity	48Pcs	48Pcs
	Series-parallel way	6S8P	6S8P
	Voltage	17-19VDC	17-19VDC
	Current	650mA	650mA
Driver Parameter	Input parameter	100~240VAC · 50/60Hz	
	Power factor	0.8	0.8
	Output parameter	17-20VDC, 650mA	70-85VDC, 300mA
Structure Parameter	Material	Cast-Aluminium	Cast-Aluminium
	Dimension	φ90*90*95mm	φ90*90*96mm
	Cut-out	Φ80mm	Φ80mm
	Protection class	calss II	calss II
	Ingress Protection	IP20	IP20
Environment Parameter	Application	Hotel, Home-lighting, Recreation place, Supermarket, Office building	
	Operating temperature	-25℃ ~ 50℃ · 10% ~ 90% R.H.	
	Storage temperature	-30℃ ~ 85℃ · 0% ~ 95% R.H.	
Packing Specification	Quantity	20 pcs	20 pcs
	Carton size:	57.5x31.5x27.5 cm	65x30.5x25.5 cm



OT2830-13W



OT2930-13W



\* Others data not in the specification of data, please contact us.  
如果你要求的規格參數不在本規格書裡表現出來請與我們聯絡。