

**SINLOON® 大功率電力型繞線電阻**

**HPD Type  
Fixed Wirewound High Power Resistor**

□ **FEATURE**

- High Power 10W to 3000W.
- Fire proof
- Wire wound resistor with the features of superior heat and pulse resistance as well as high reliability. It is suitable for high-power circuits application.

**FIGURE**

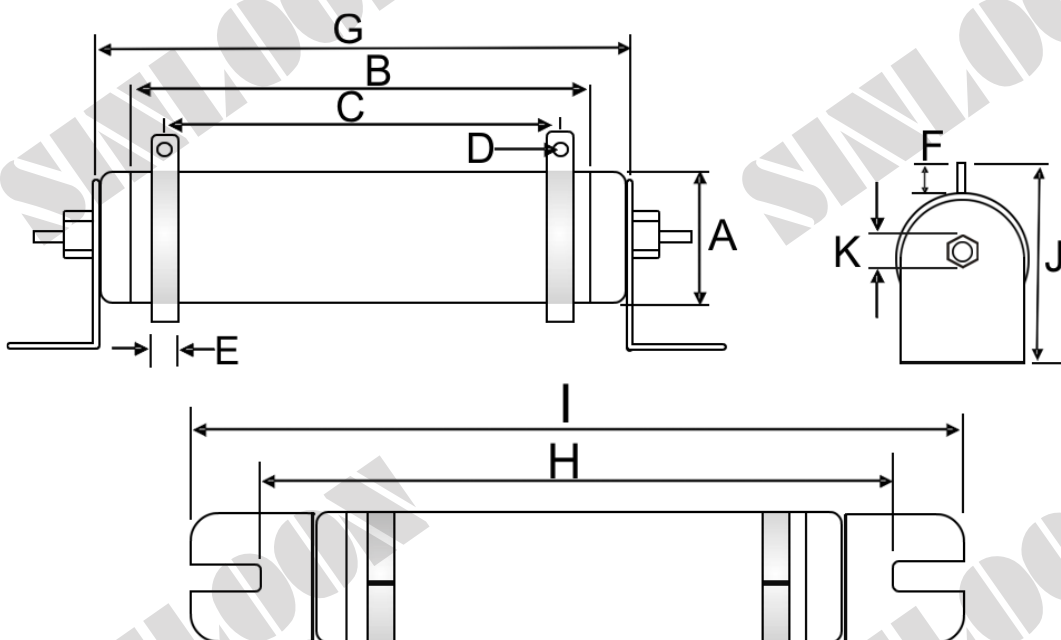


□ **HPD Type ( ADJUSTABLE TYPE)**

Body coating color: Green

■ **DIMENSION**

Power Rated	DIMENSIONS (mm)											Resistance Range
	A±1	B±2	C±2	D±0.1	E±0.2	F±1	G±2	H±2	I±1	J±1	K±1	
HPD-10W	13	45	35	2.1	4.0	10	55	56	57	30	4	1Ω ~ 10K Ω
HPD-20W	17	60	45	3.0	5.0	12	70	84	100	37	4	1Ω ~ 20K Ω
HPD-30W	17	80	65	3.0	5.0	12	90	104	120	37	4	1Ω ~ 30K Ω
HPD-40W	17	110	95	3.0	5.0	12	120	134	150	37	4	1Ω ~ 40K Ω
HPD-50W	25	110	92	5.2	8.0	19	120	142	164	58	6	0.1Ω ~ 50K Ω
HPD-60W	28	90	72	5.2	8.0	17	101	123	145	60	6	0.1Ω ~ 60K Ω
HPD-80W	28	110	92	5.2	8.0	17	121	143	165	60	6	0.1Ω ~ 80K Ω
HPD-100W	28	140	122	5.2	8.0	17	151	173	195	60	6	0.1Ω ~ 100K Ω
HPD-120W	28	160	142	5.2	8.0	17	171	193	215	60	6	0.1Ω ~ 120K Ω
HPD-150W	28	195	177	5.2	8.0	17	206	229	250	60	6	0.1Ω ~ 150K Ω
HPD-160W	35	185	167	5.2	8.0	17	197	217	245	75	8	0.1Ω ~ 160K Ω
HPD-200W	35	210	192	5.2	8.0	17	222	242	270	75	8	0.1Ω ~ 200K Ω
HPD-225W	40	195	173	5.2	8.0	17	207	227	255	77	8	0.1Ω ~ 200K Ω
HPD-250W	40	210	188	5.2	10	18	222	242	270	77	8	0.5Ω ~ 250K Ω
HPD-300W	40	260	238	5.2	10	18	272	292	320	77	8	0.5Ω ~ 300K Ω
HPD-400W	40	330	308	5.2	10	18	342	380	390	77	8	0.5Ω ~ 400K Ω
HPD-500W	50	330	304	6.2	12	28	346	367	399	105	9	0.5Ω ~ 500K Ω
HPD-600W	50	400	384	6.2	12	28	416	437	469	105	9	1Ω ~ 600K Ω
HPD-700W	50	460	384	6.2	12	28	462	500	530	105	9	1Ω ~ 700K Ω
HPD-800W	60	460	425	6.2	15	28	480	504	533	112	9	1Ω ~ 800K Ω
HPD-1KW	60	540	505	6.2	15	30	560	584	613	112	10	1Ω ~ 1M Ω
HPD-3KW	60	650	620	6.2	15	30	667	700	715	115	10	1Ω ~ 1M3 Ω



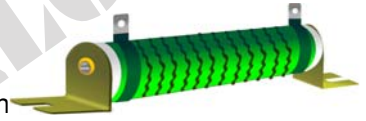
SINLOON® 大功率電力型繞線電阻

HPQ Type  
Fixed Wirewound High Power Resistor

□ FEATURE

- High Power 75W to 2000W.
- Fire proof
- Wire wound resistor with the features of superior heat and pulse resistance as well as high reliability. It is suitable for high-power circuits application

FIGURE

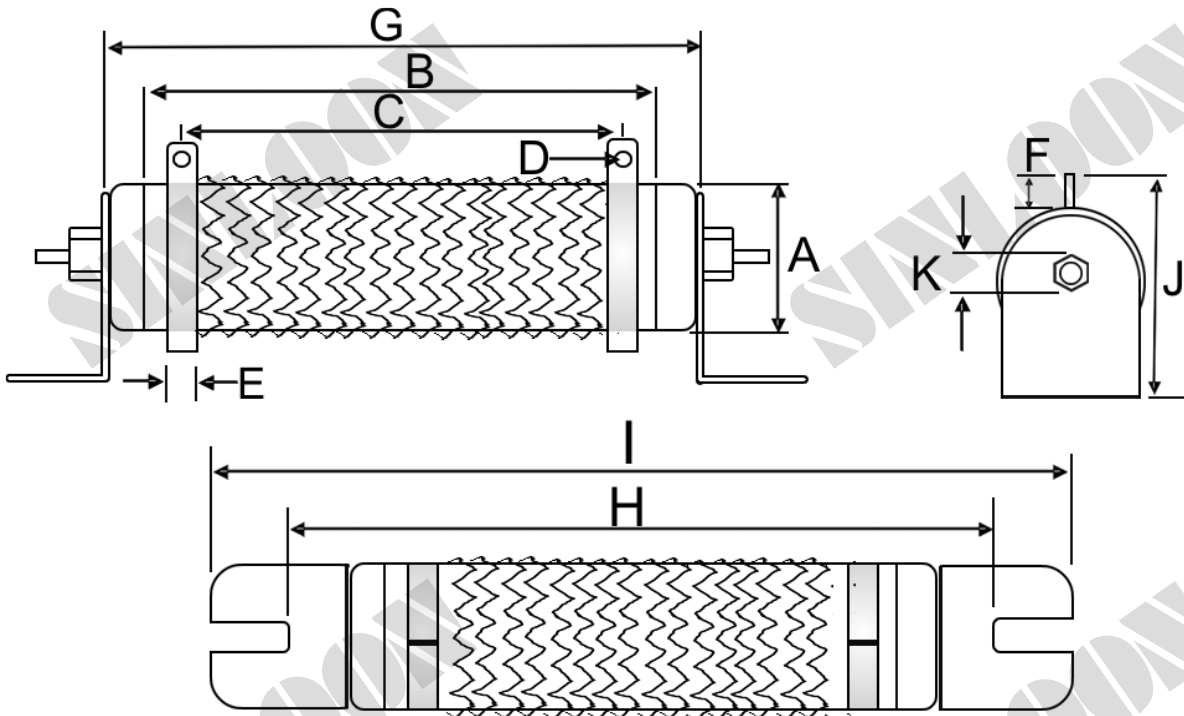


□ HPQ Type ( ADJUSTABLE TYPE)

Body coating color: Green

■ DIMENSION

Power Rated	DIMENSIONS (mm)											Resistance Range
	A±1	B±2	C±2	D±0.1	E±0.2	F±1	G±2	H±2	I±1	J±1	K±1	
HPQ-75W	25	110	95	5.2	8.0	19	120	142	164	58	6	1Ω ~ 8K Ω
HPQ-90W	28	90	72	5.2	8.0	17	101	123	145	60	6	1Ω ~ 9K Ω
HPQ-120W	28	110	90	5.2	8.0	17	121	143	165	60	6	0.2Ω ~ 12K Ω
HPQ-150W	28	140	122	5.2	8.0	17	151	173	195	60	6	0.2Ω ~ 15K Ω
HPQ-180W	28	160	142	5.2	8.0	17	171	193	215	60	6	0.2Ω ~ 18K Ω
HPQ-225W	28	195	177	5.2	8.0	17	206	229	250	60	6	0.2Ω ~ 20K Ω
HPQ-240W	35	185	167	5.2	8.0	17	197	219	245	75	8	0.5Ω ~ 25K Ω
HPQ-300W	35	210	192	5.2	8.0	17	222	242	270	75	8	0.5Ω ~ 30K Ω
HPQ-375W	40	210	188	5.2	10.0	18	222	242	270	77	8	0.5Ω ~ 40K Ω
HPQ-450W	40	260	238	5.2	10.0	18	272	292	320	77	8	0.5Ω ~ 45K Ω
HPQ-600W	40	330	308	5.2	10.0	18	342	380	390	77	8	0.5Ω ~ 60K Ω
HPQ-750W	50	330	304	6.2	12.0	28	346	367	399	105	9	0.5Ω ~ 75K Ω
HPQ-900W	50	400	374	6.2	12.0	28	416	437	469	105	9	1Ω ~ 90K Ω
HPQ-1KW	50	460	425	6.2	12.0	30	480	504	533	105	9	1Ω ~ 100K Ω
HPQ-1.2KW	60	460	425	6.2	15	30	480	504	533	112	10	1Ω ~ 120K Ω
HPQ-1.5KW	60	540	505	6.2	15	30	560	854	613	112	10	1Ω ~ 150K Ω
HPQ-2KW	65	650	620	6.2	15	30	667	700	715	115	10	1Ω ~ 200K Ω



**SINLOON®** 大功率電力型繞線電阻

**HPZ Type**  
**Fixed Wirewound High Power Resistor**

**FEATURE**

- High Power 80W to 300W.
- Fire proof
- Wire wound resistor with the features of superior heat and pulse resistance as well as high reliability. It is suitable for high-power circuits application.

**HPZ Type ( ADJUSTABLE TYPE)**

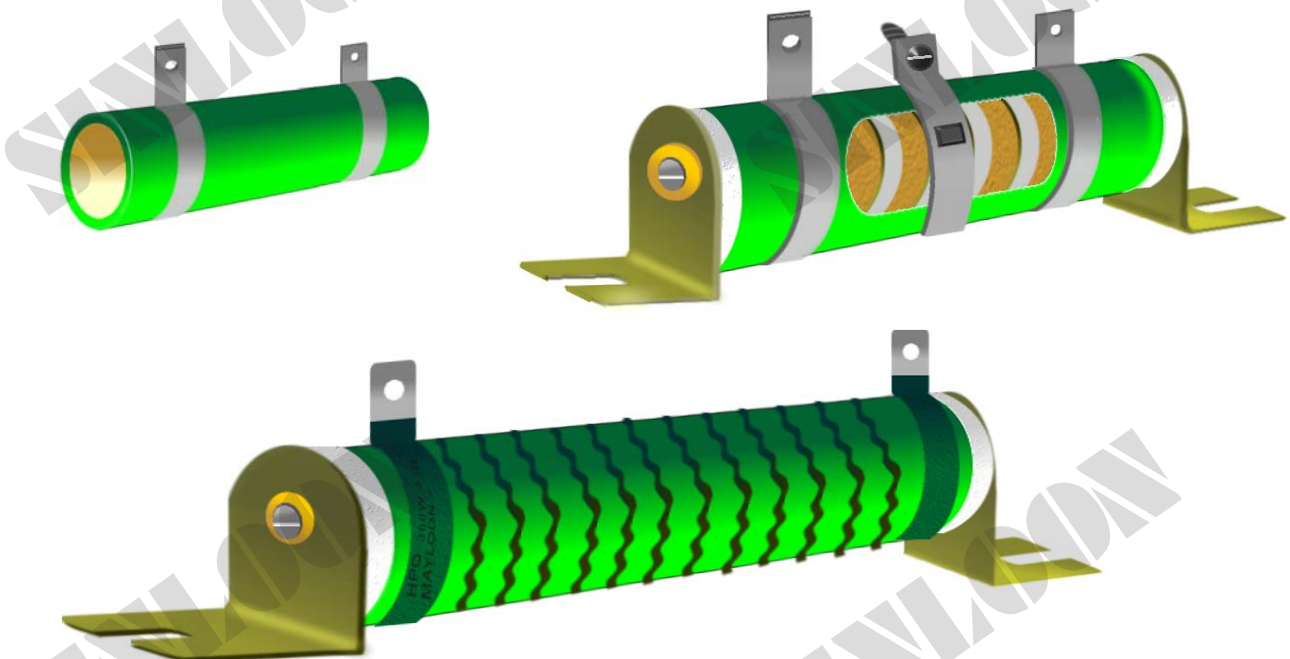
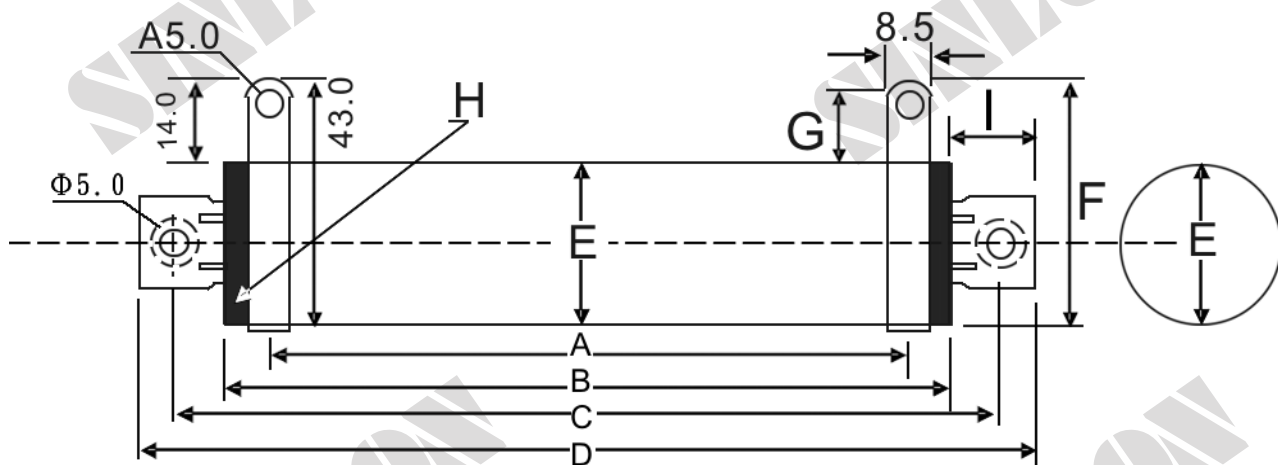
■ **DIMENSION**

Power Rated	DIMENSIONS (mm)									Resistance Range
	A±2	B±2	C±2	D±2	E±1	F±1	G±1	H±1	I±1	
HPZ-80W	121.5	140	157	170	28	46	14	10	21.5	0.1Ω ~ 80K Ω
HPZ-100W	141.5	160	177	190	28	46	14	10	21.5	0.1Ω ~ 100K Ω
HPZ-120W	166.5	185	202	215	28	46	14	10	21.5	0.1Ω ~ 120K Ω
HPZ-150W	166.5	185	202	215	35	50	14	10	21.5	0.1Ω ~ 150K Ω
HPZ-200W	191.5	210	227	240	35	50	14	10	21.5	0.1Ω ~ 200K Ω
HPZ-250W	235.5	254	271	284	35	50	14	10	21.5	0.1Ω ~ 250K Ω
HPZ-300W	281.5	300	317	330	35	50	14	10	21.5	0.1Ω ~ 300K Ω

**FIGURE**



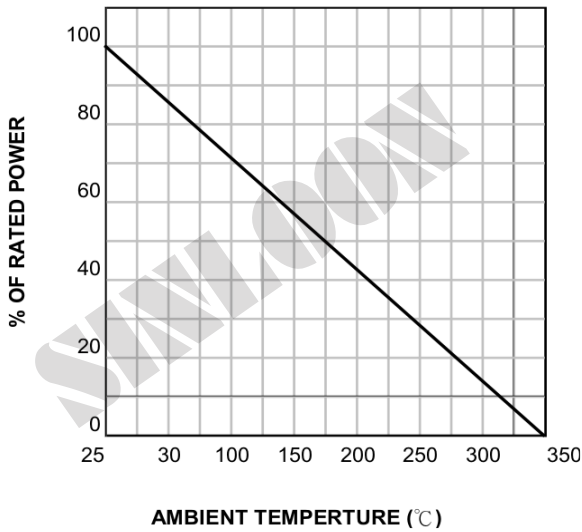
Body coating color: Green



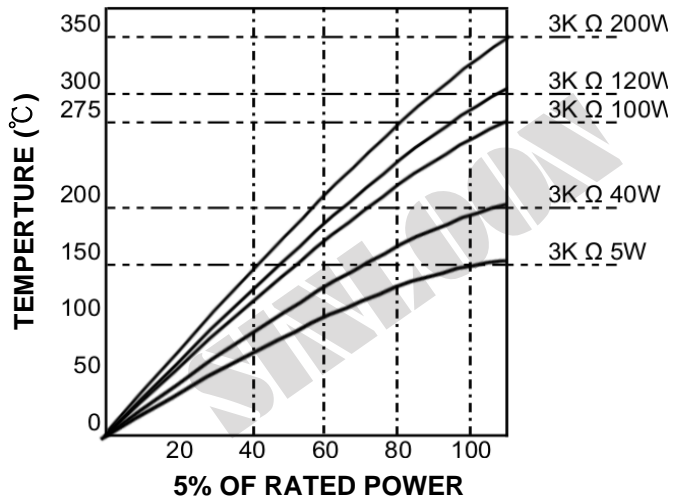
ELECTRICAL PERFORMANCE

Characteristics	Limits
Resistance and resistance tolerance	Range Resistance tolerance $\pm 5\%$ (J)
Temperature coefficient	FCHR-2 0.1x1.2m/m, 1000~1200ppm/ $^{\circ}\text{C}$ max (according mat)
Power rating load	$\Delta R/R \leq \pm(1\% + 0.05\Omega)$ Temperature $350^{\circ}\text{C}$ max.
Short-time overload	$\Delta R/R \leq \pm(2\% + 0.05\Omega)$ .
Insulation resistance	DC5000 100M $\Omega$ min
Dielectric withstanding voltage	AC2500V 1.5mA / 1minute

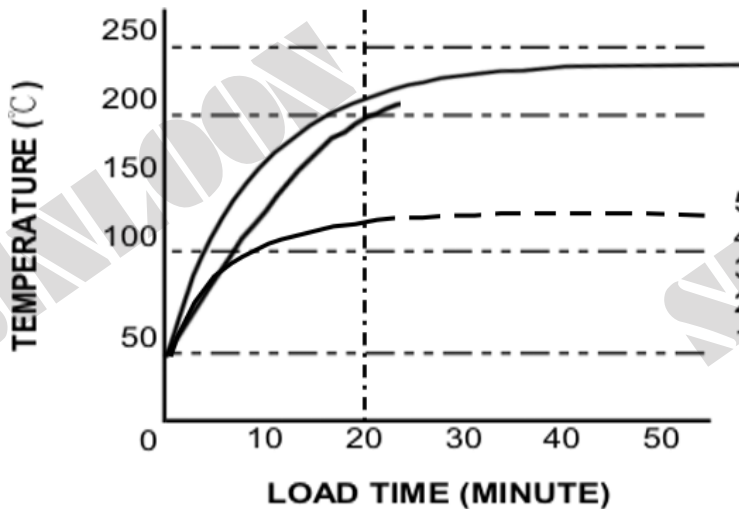
DERATING



SURFACE TEM. VS POWER LOAD



TEMP. VS TIME (100% LOAD)



- These resistors are made by winding resistance carbon around a ceramic tube in wave shape, externally coated with nonflammable paint .
- They are extremely good in dissipation of heat, small in size, able to take large load .
- Fit for use on heavy electric machines and production machine .

\* If you have any question which is not in the specification, please contact us.

\*在本規格書裡如果您未能找到或參數指標未能達到你的應用要求即未在本規格書裡表現出來請與我們聯絡。

※美隆公司產品規格及其特性參數的改變和更新不會另行通知。

※Mayloon characteristic parameters of electronic product specification changes or updates without notice to improve .