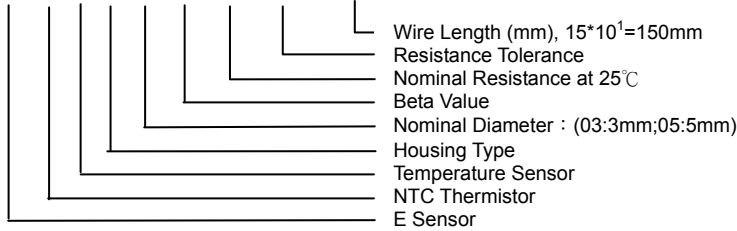


NS Series

NTC THERMISTOR SENSORS OF VARIOUS DESIGN FOR SENSING APPLICATIONS

PART NUMBER CODE

ES N S A 05 A 085 □- 151



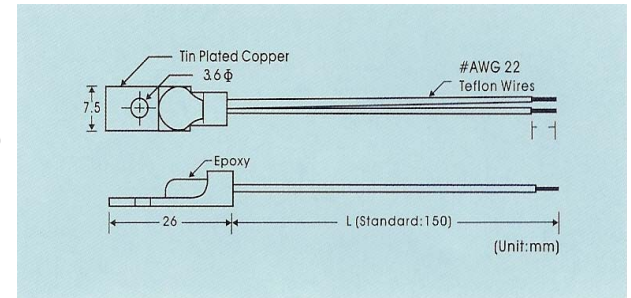
Resistance Tolerance : H=±3%;J=±5%;K=±10%;L=±15%

Nominal Resistance at 25°C : The last two digits are significant figures
The first digit specifies the number of zeros to follow.(85Ω is illustrated)

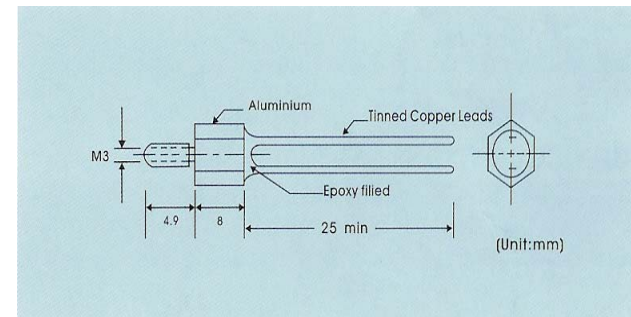
Beta Value (25/50°C) : S<1600 ; A=1600-3300 ; B=3300-3600
C=3600-4200 ; D>4200

STANDARD CONFIGURATIONS AND DIMENSIONS

NSA



NSB



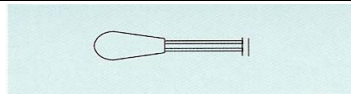
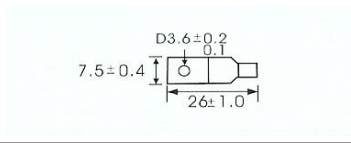
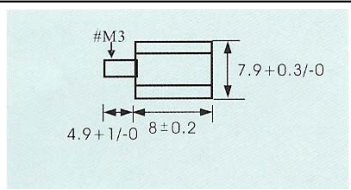
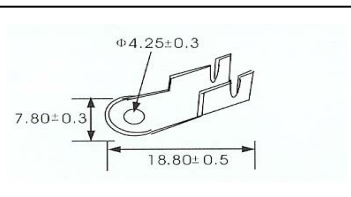
SPECIFICATIONS

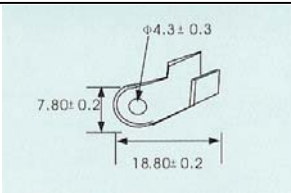
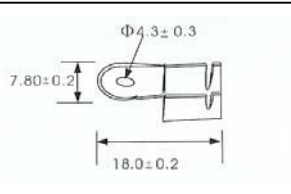
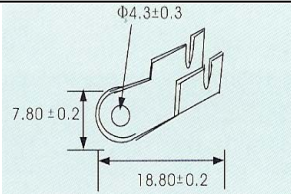
Part No. NSA / NSB	Nominal Resistance At 25°C (Ohms)	Beta Value (° K)	Maximum Permissible Current At 25°C (mA)
ES NS □ 05A015 □-□□□	15	2900	250
ES NS □ 05A020 □-□□□	20	2900	250
ES NS □ 05A045 □-□□□	45	3100	250
ES NS □ 05A050 □-□□□	50	3100	250
ES NS □ 05A070 □-□□□	70	3100	250
ES NS □ 05A085 □-□□□	85	3100	250
ES NS □ 05A090 □-□□□	90	3100	250
ES NS □ 05A110 □-□□□	100	3100	200
ES NS □ 05A112 □-□□□	120	3100	200
ES NS □ 05A120 □-□□□	200	3000	200
ES NS □ 05A122 □-□□□	220	3000	180
ES NS □ 05A125 □-□□□	250	3000	150
ES NS □ 05A130 □-□□□	300	3000	150
ES NS □ 05A135 □-□□□	350	3000	125
ES NS □ 05C150 □-□□□	500	3800	100
ES NS □ 05C180 □-□□□	800	3700	80
ES NS □ 05C210 □-□□□	1000	3700	80
ES NS □ 05C215 □-□□□	1500	3700	60
ES NS □ 05C220 □-□□□	2000	4000	60
ES NS □ 05C222 □-□□□	2200	4000	60
ES NS □ 05C225 □-□□□	2500	4000	60
ES NS □ 05C230 □-□□□	3000	4000	50
ES NS □ 05C233 □-□□□	3300	4100	45
ES NS □ 05C235 □-□□□	3500	4100	45
ES NS □ 05C240 □-□□□	4000	4100	45
ES NS □ 05C245 □-□□□	4500	4100	45
ES NS □ 05C247 □-□□□	4700	4100	45
ES NS □ 05C250 □-□□□	5000	4100	45
ES NS □ 05C260 □-□□□	6000	4100	40
ES NS □ 05C310 □-□□□	10000	4100	30
ES NS □ 05C312 □-□□□	12000	4100	30
ES NS □ 05C315 □-□□□	15000	4200	25
ES NS □ 05C320 □-□□□	20000	4200	25
ES NS □ 05D330 □-□□□	30000	4400	20
ES NS □ 05C333 □-□□□	33000	4400	20
ES NS □ 05D347 □-□□□	47000	4400	20
ES NS □ 05D350 □-□□□	50000	4400	20
ES NS □ 05D410 □-□□□	100000	4400	15
ES NS □ 05D415 □-□□□	150000	4500	10
ES NS □ 05D420 □-□□□	200000	4600	8
ES NS □ 05D422 □-□□□	220000	4500	6
ES NS □ 05D433 □-□□□	330000	4500	6
ES NS □ 05D440 □-□□□	400000	4500	5
ES NS □ 05D447 □-□□□	470000	4500/5200	5

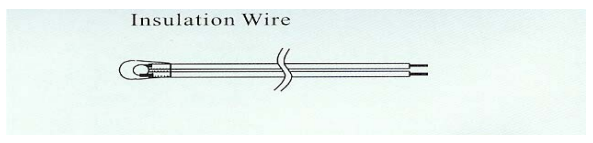
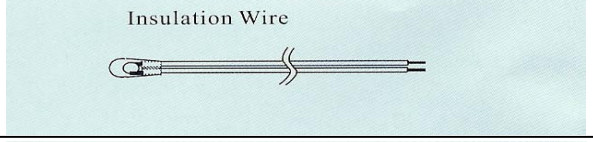
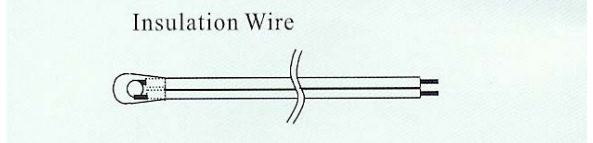
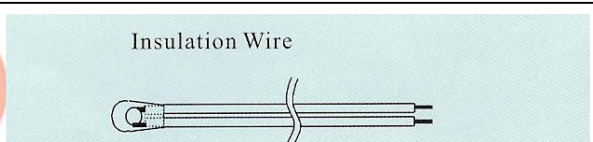
SPECIFICATIONS

Part No. NSA / NSB	Nominal Resistance At 25°C (Ohms)	Beta Value (° K)	Maximum Permissible Current At 25°C (mA)
ES NS □ 03A110 □-□□□	100	3141	50
ES NS □ 03A210 □-□□□	1000	3000	25
ES NS □ 03C220 □-□□□	2000	3800	20
ES NS □ 03C222 □-□□□	2200	3800	20
ES NS □ 03C227 □-□□□	2700	3800	20
ES NS □ 03C230 □-□□□	3000	3800	18
ES NS □ 03C240 □-□□□	4000	3800	15
ES NS □ 03C247 □-□□□	4700	3800	15
ES NS □ 03C250 □-□□□	5000	3800	15
ES NS □ 03C268 □-□□□	6800	3800	10
ES NS □ 03C310 □-□□□	10000	4000	10
ES NS □ 03C312 □-□□□	12000	4000	10
ES NS □ 03C315 □-□□□	15000	4000	10
ES NS □ 03C320 □-□□□	20000	4100	10
ES NS □ 03C322 □-□□□	22000	4100	8
ES NS □ 03C330 □-□□□	30000	4100	7
ES NS □ 03C333 □-□□□	33000	4100	7
ES NS □ 03C347 □-□□□	47000	4200	5
ES NS □ 03C350 □-□□□	50000	4200	5
ES NS □ 03C368 □-□□□	68000	4200	5
ES NS □ 03D410 □-□□□	100000	4400	3
ES NS □ 03D422 □-□□□	220000	4293	2

CONFIGURATIONS AND DIMENSIONS

Housing Type	Material	Dimensions (Unit : mm)
NS	Epoxy Resin	
NSA	Tin Plated copper	
NSB	Aluminum	
NSC	Brass	

Housing Type	Material	Dimensions (Unit : mm)
NSD	Aluminum	
NSF	Aluminum	
NSG	Nickel-plate	

Type	Wire	Dimensions
	Specifications	
B	26AWG Single Teflon Wire	
C	30AWG Single Teflon Wire	
D	24AWG Parallel PVC Wire	
V	22AWG Single Teflon Wire	
X	24AWG Parallel PVC Wire (Tin Plated)	