

SINLOON®

肖特基二極管
Case: DO-41

SB220S - SB2100S
2.0A Schottky Barrier Diode

Feature

- ◆ Schottky Barrier Chip
- ◆ Guard Ring Die Construction for Transient Protection
- ◆ High Current Capability
- ◆ Low Power Loss, High Efficiency
- ◆ High Surge Current Capability
- ◆ For Use un Low Voltage, High Frequency Inverters, Free Wheeling and Polarity Protection Applications.

Figure



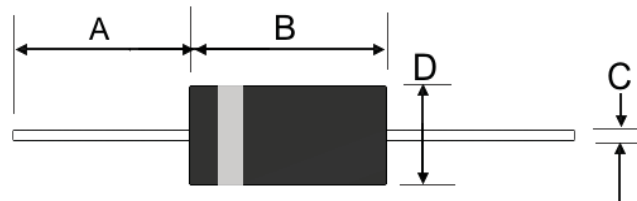
Mechanical Data

- ◆ Case: DO-41 Moldes Plastic
- ◆ Terminals: Plated Leads Solderable per MIL-STD-202, Method 208
- ◆ Polarity: Cathode Band.
- ◆ Weight: 0.34 grams (approx)
- ◆ Mounting Position: Any
- ◆ Mounting : Type Number
- ◆ Lead Free: For **RoHS** / Lead Free Version Add “-LF” Suffix to part Number.

Dimension

Case: DO-41 (mm)

Dim	Min	Max
A	25.4	---
B	4.06	5.21
C	0.71	0.864
D	2.0	2.72



Marking Information

- Cathode = Device Number
- SB2xxS = Device Number
- xx See Page 2
- Polarity = As Marked Body



Maximum Ratings and Electrical Characteristics @T_A=25°C unless otherwise specified

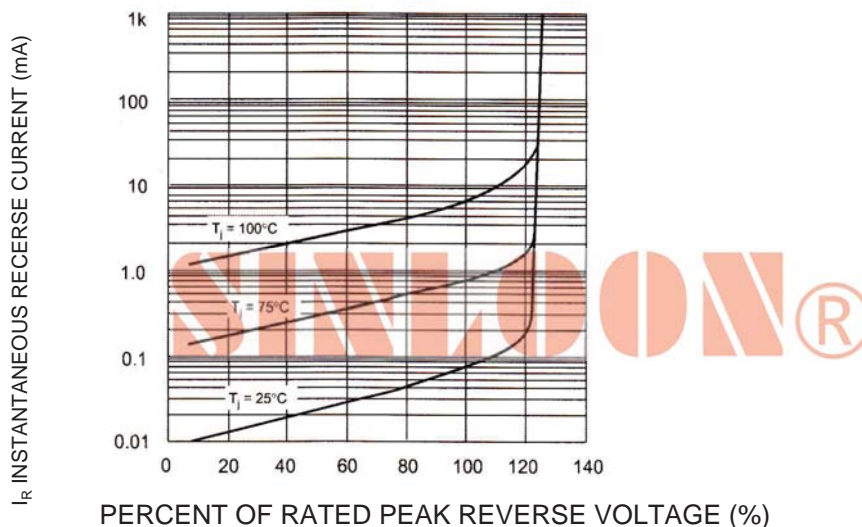


Fig 5 Typical Reverse Characteristics



□ **Maximum Ratings and Electrical Characteristics @ $T_A=25^\circ\text{C}$ unless otherwise specified**

Single Phase, half wave, 60Hz, resistive or inductive load For capacitive load, derate current by 20%.

Characteristics	Symbol	SB 220S	SB 230S	SB 240S	SB 250S	SB 260S	SB 280S	SB 2100S	Unit
Peak Repetitive Reverse Voltage	V_{RRM}								
Working Peak Reverse Voltage	V_{RWM}	20	30	40	50	60	80	100	V
DC Blocking Voltage	V_R								
RMS Reverse Voltage	$V_{R(RMS)}$	14	21	28	35	42	56	70	V
Average Rectified Output Current @ $T_C=95^\circ\text{C}$ (Note 1)	I_O	2.0		2.0		2.0			A
Non-Repetitive Peak Forward Surge Current 8.3ms Single half sine-wave superimposed on rated load (JEDEC Method)	I_{FSM}	50		50		50			A
Forward Voltage	@ $I_F=1.0\text{A}$	0.5		0.7		0.85			V
	@ $I_F=3.0\text{A}$	0.5		0.5		0.5			
Peak Reverse Current @ $T_A = 25^\circ\text{C}$	I_{RM}	10.0		10.0		10.0			mA
At Rated DC Blocking Voltage @ $T_A=100^\circ\text{C}$		10.0		10.0		10.0			
Typical Junction Capacitance (Note 2)	C_j	170		140		140			pF
Typical Thermal Resistance Junction to Lead (Note 1)	$R_{\theta JL}$	45		45		45			$^\circ\text{C/W}$
Operating and Storage Temperature Range	T_j, T_{STG}	-65 to +150							$^\circ\text{C}$

Note 1: Valid provided that leads are kept at ambient temperature at a distance of 9.5mm from the case.

Note 2: Measured at 1.0 MHz and applied reverse voltage of 4.0V D.C.

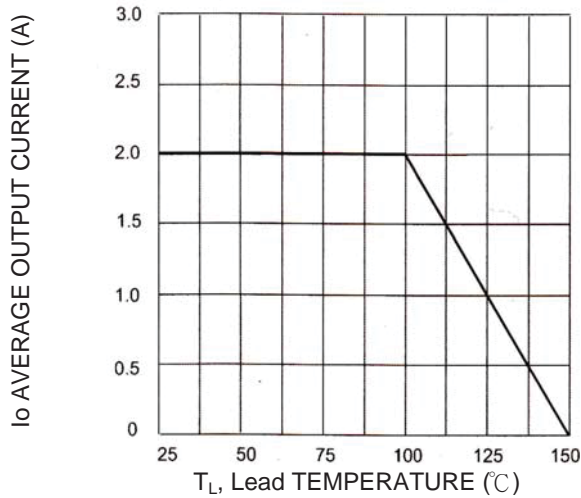


Fig-1 Forward and Current Derating Curve

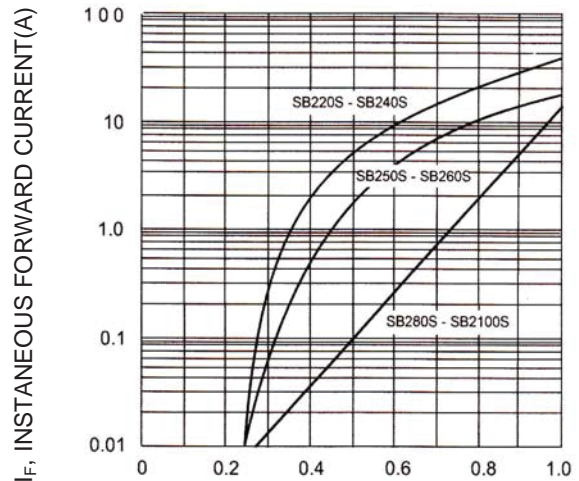


Fig-2 Typical Forward Voltage Characteristics

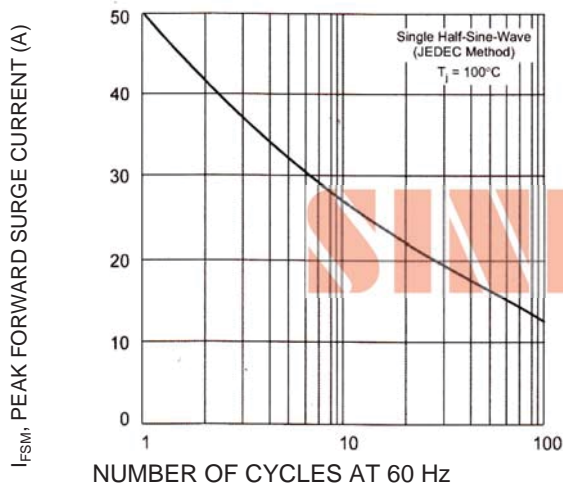


Fig-3 Peak Forward Surge Current

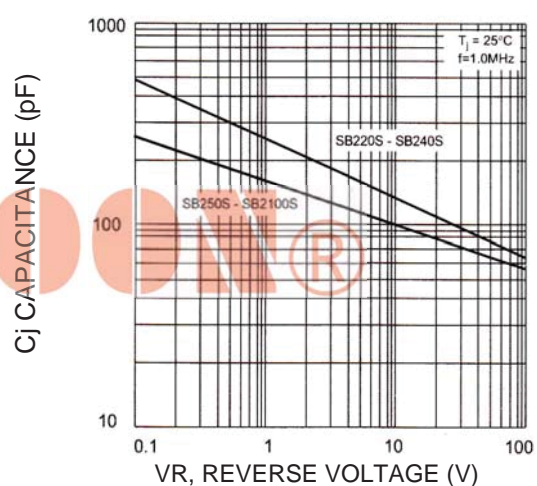


Fig-4 Typical Junction Capacitance

SINLOON®

肖特基二極管
Case: DO-41

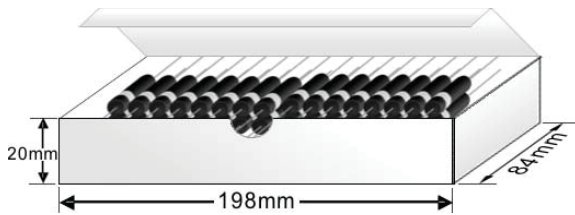
SB220S - SB2100S
2.0A Schottky Barrier Diode

Packaging Information

Package	Reel Diameter Box Size	Quantity (Pcs)	Carton Size LxWxH (mm)	Quantity (Pcs)	Gross Weight
Tape & Reel	330	5000	370x370x420	25000	13
Tape & Box	255x75x150	5000	400x273x415	50000	21
Bulk	198x84x20	1000	459x214x256	50000	19.5

Note: 1. Paper reel. White or gray color, Cope material plastic or metal
2. Components are packed in accordance with EIA standard RS-296-E

Bulk

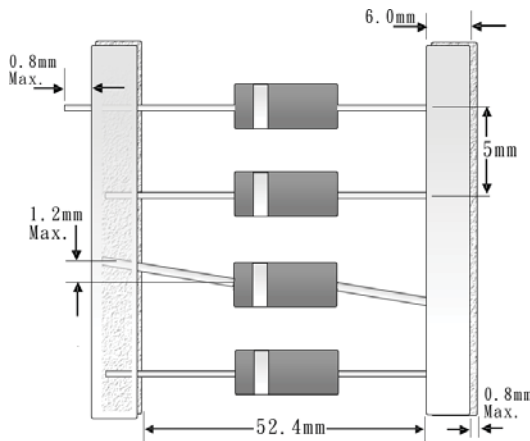


Tape Reel

330mm X 80mm



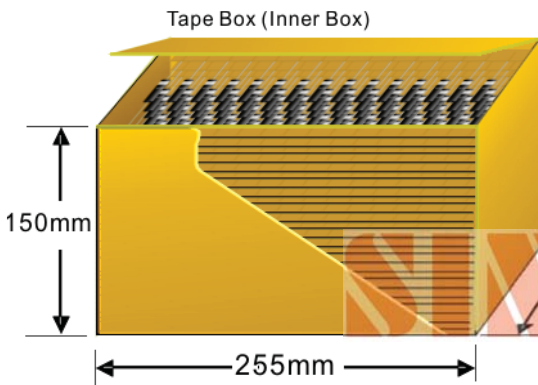
Taping Dimension:



Carton:



Tape & Box



※美隆公司產品規格及其特性參數的改變或更新恕不另行通知。
※Mayloon characteristic parameters of electronic product specification changes or updates without notice to improve .