



水泥電阻器(SQV)系列
POWER RANGE: 5W~20W

CM-SQV TYPE
CEMENT FIXED RESISTOR

FEATURE

- Exceptionally small and sturdy, mechanically safe, Excellent electrical characteristic
- Tolerance of $\pm 5\%$ and $\pm 10\%$ are standard.
- Non-inductive type are available on request.
- Heat and flame resistance
- The materials used and the construction techniques ensure excellent flame resistance, arc resistance and moisture resistance as well as self-extinguishing capabilities, They will withstand the most rigorous loading test.
- As resistors in radio and television receiver, The hazardous conditions of smoking and reheat can be completely prevented by the proper choice of power resistors.
- For high resistance value, The winding core will be replaced by metal oxide film core (RS Type)
- Applicable specifications: EIA RS-344 and EIA RC-649

FIGURE



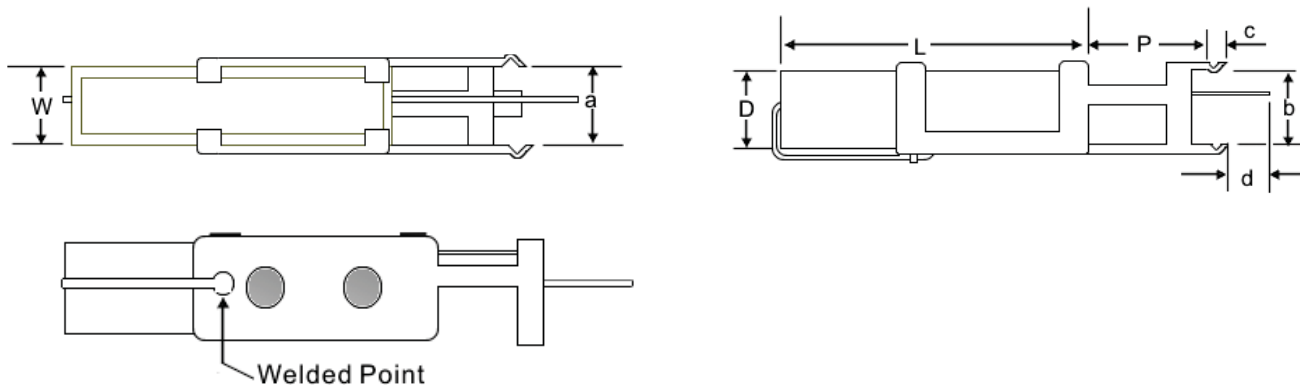
ORDERING INFORMATION

Example: CM-SQV5W22R0J (5W 22R $\pm 5\%$)

| Power | Type | Resistance (Ω) | Tolerance |
|-------|-----------|-------------------------|----------------|
| 5W | CM-SQV5W | 0.1R = R100 | H = $\pm 3\%$ |
| 7W | CM-SQV7W | 1R00 = 1R00 | J = $\pm 5\%$ |
| 10W | CM-SQV10W | 10R0 = 10R0 | K = $\pm 10\%$ |
| 20W | CM-SQV20W | 100R = 101 | |
| | | 1K = 102 | |
| | | 10K = 103 | |

DIMENSION

| Power | Type | Dimension (mm) | | | | | | | |
|-------|-----------|----------------|------------|------------|------------|----------------|----------------|-------------|-------------|
| | | W | D | L | P | a | b | c | d |
| 5W | CM-SQV5W | 10 \pm 1 | 9 \pm 1 | 22 \pm 1 | 5 \pm 1 | 10.5 \pm 0.5 | 10.5 \pm 0.5 | 4 \pm 0.5 | 5 \pm 3.0 |
| 7W | CM-SQV7W | 10 \pm 1 | 9 \pm 1 | 35 \pm 1 | 10 \pm 1 | 10.5 \pm 0.5 | 10.5 \pm 0.5 | 4 \pm 0.5 | 5 \pm 3.0 |
| 10W | CM-SQV10W | 10 \pm 1 | 9 \pm 1 | 48 \pm 1 | 10 \pm 1 | 10.5 \pm 0.5 | 10.5 \pm 0.5 | 4 \pm 0.5 | 5 \pm 3.0 |
| 20W | CM-SQV20W | 60 \pm 1 | 14 \pm 1 | 60 \pm 1 | 10 \pm 1 | 10.5 \pm 0.5 | 10.5 \pm 0.5 | 4 \pm 0.5 | 5 \pm 3.0 |



- * Resistance Range for standard resistance, Below of over this resistance request.
- * Non-inductive type up 50 Ω only.



DATA RATING

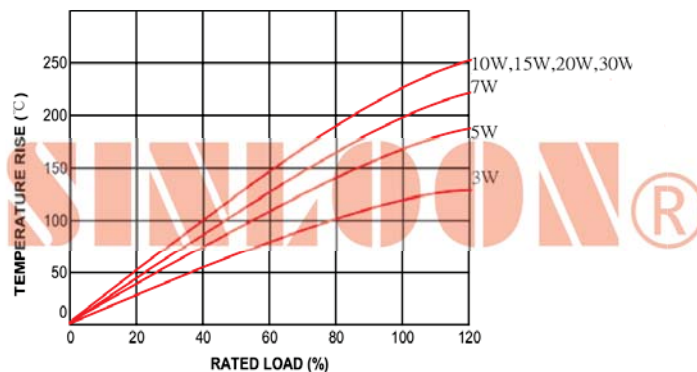
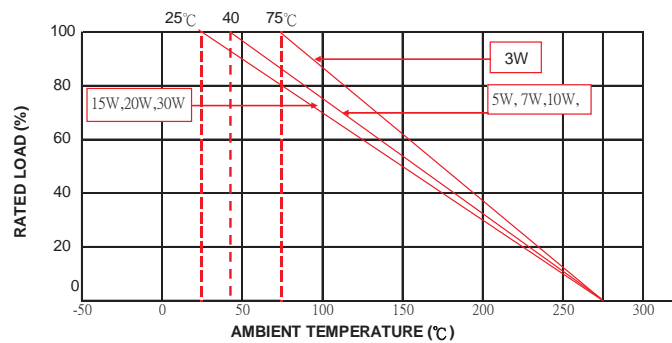
| Power | Type | Value Range (Ω) | | Max working Voltage |
|-------|-----------|-----------------|-------------|---------------------|
| | | Wire Wound | Metal oxide | |
| 5W | CM-SQV5W | 0.1~50 | 50~3.6K | 350V |
| 7W | CM-SQV7W | 0.1~50 | 50~4.7K | 500V |
| 10W | CM-SQV10W | 0.1~100 | 50~6.8K | 500V |
| 20W | CM-SQV20W | 0.1~100 | 100~10K | 500V |

ENVIRONMENTAL CHARACTERISTICS

| PERFORMANCE TEST | APPRAISE |
|---------------------------------|-------------------|
| Short Time Overload | ±2%+0.05Ω |
| Dielectric Withstanding Voltage | ±2%+0.05Ω |
| Temperature Coefficient | MAX. 300ppm/oC |
| Insulation Resistance | ≥ 100 MΩ |
| Solderability | 95% min. coverage |
| Resistance to Solvent | no deterioration |
| Terminal Strength | 2.5KG/24.5N |
| Pulse Overload | ±2%+0.05Ω |
| Load Life in Humidity | ±5%+0.05Ω |
| Load Life | ±5%+0.05Ω |
| Temperature Cycling | ±2%+0.05Ω |
| Soldering Heat | ±2%+0.05Ω |
| Mositure resistance | ±5%+0.05Ω |
| Shock and Vibration | ±1%+0.05Ω |
| Effect of Soldering | ±2%+0.05Ω |



DERATING CURVE



SINLOON®

水泥電阻器(SQV)系列

POWER RANGE: 5W~20W

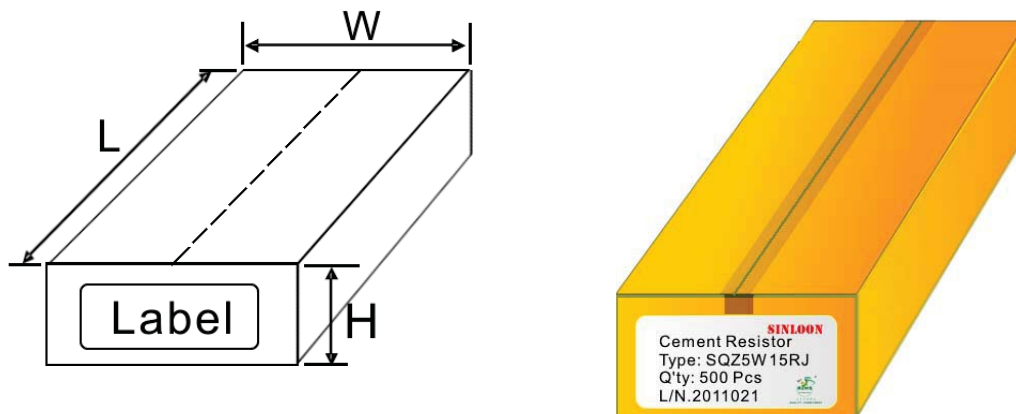
CM-SQV TYPE

CEMENT FIXED RESISTOR

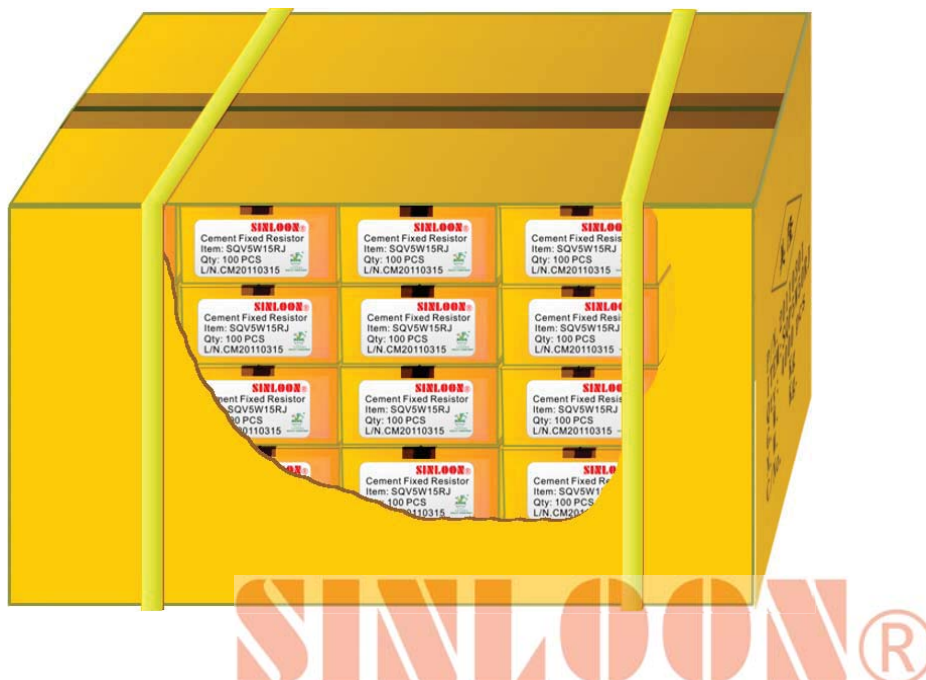
☐ PACKING

| Type | Inner Box Dimension (cm) | | | Quantity | Carton Dimension (cm) | | | Quantity |
|-----------|--------------------------|----|----|----------|-----------------------|------|----|----------|
| | L | W | H | | L | W | H | |
| CM-SQV5W | 26 | 15 | 11 | 100 | 31 | 27.5 | 47 | 1000 |
| CM-SQV7W | 26 | 15 | 11 | 100 | 31 | 27.5 | 47 | 1000 |
| CM-SQV10W | 26 | 15 | 11 | 100 | 31 | 27.5 | 47 | 1000 |
| CM-SQV20W | 26 | 15 | 11 | 20 | 31 | 27.5 | 47 | 200 |

Inner Box Fig-1



Carton Fig-2



※美隆電子產品規格特性參數的改變或更新,將不會另行通知。

※Mayloon characteristic parameters of electronic product specification changes or updates without prior notice。

