

**SINLOON®**

平面灌膠式空芯線圈電感  
Turns: 9 ~ 20

TYPE: AM132 Series  
SMD Flat Top Air Core Inductor

**Feature**

- ◆ High frequency (高頻)
- ◆ Highest possible SRF as well as excellent Q values (高共振頻率及高品質因素)
- ◆ The constitutive property is good and easy to operate (結構性佳、使用方便)

**Applications (用途)**

- ◆ Pager, Cordless phone & High Freq. Communication Products (呼叫器、行動電話及高頻通訊類產品)
- ◆ Intercom, CATV (對講機、CATV)

**Ordering**

Product Identification of Part Number (i.e. : AM132-09)  
AM132 SMD Flat Top Air Core Inductors Size  
09 Turns (圈數)

**Figure**



**Package**

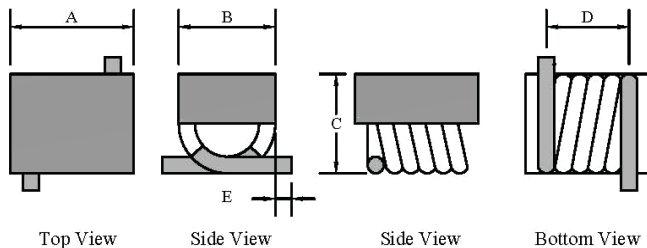
Packaging Tape Reel 330mm diameter  
reel EIA ST 481-1  
Quantity : 4000 piece reel / 330mm

**Configurations & Dimension**

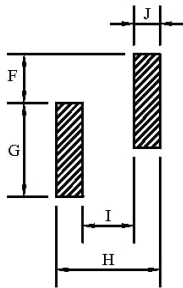
Unit: mm

TYPE	A	B	C	D	E	F	G	H	I	J
AM132	9.0 (max)	4.4±0.3	4.6±0.4	8.0±0.5	1.3±0.4	2.4	4.7	10	6.0	2.1

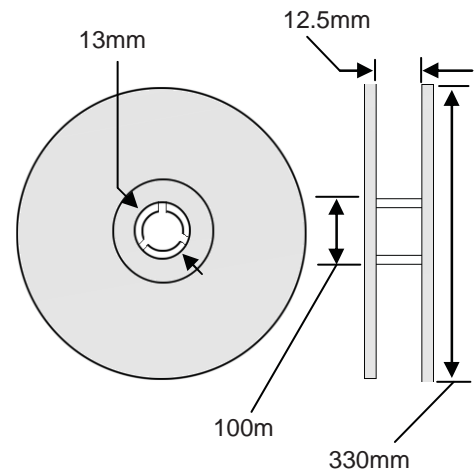
\* Design as Customers Requested Specifications (可依特殊需求設計生產)



Land Pattern



**Reel Type Dimension**



**Electrical Characteristics for AM132 Series**

產品規格型號 Ordering Part Number	圈數 Turns	電感值(L) Inductance L (nH)	品質因數 Q (min)	測試頻率 Test Freq (MHz)	共振頻率 SRF(MHz) (min)
AM132-09	9	90±5%	100	800	>1.0
AM132-10	10	111±5%	100	800	>1.0
AM132-11	11	130±5%	100	800	>0.9
AM132-12	12	169±5%	100	800	>0.8
AM132-13	13	206±5%	100	800	>0.7
AM132-14	14	222±5%	100	800	>0.6
AM132-15	15	246±5%	100	800	>0.6
AM132-16	16	307±5%	100	800	>0.5
AM132-17	17	380±5%	100	800	>0.5
AM132-18	18	422±5%	100	800	>0.4
AM132-19	19	491±5%	100	800	>0.4
AM132-20	20	538±5%	100	800	>0.4

※美隆公司產品規格及其特性參數的改變或更新恕不另行通知。

※Mayloon characteristic parameters of electronic product specification changes or updates without notice to impr.

