

SINLOON®

平面灌膠式空芯線圈電感
Inductance Range: 22 nH ~ 120nH

TYPE: AM1812 Series
SMD Flat Top Air Core Inductor

□ Feature

- ◆ High frequency (高頻)
- ◆ Highest possible SRF as well as excellent Q values (高共振頻率及高品質因素)
- ◆ The constitutive property is good and easy to operate (結構性佳、使用方便)

□ Applications (用途)

- ◆ Pager, Cordless phone & High Freq. Communication Products (呼叫器、行動電話及高頻通訊類產品)
- ◆ Intercom, CATV (對講機、CATV)

□ Ordering

Product Identification of Part Number (i.e. : AM1812-22NK)
AM1812 SMD Flat Top Air Core Inductors Size
22N Inductance
K: Tolerance J : ±5%, K: ±10%, M: ±20%; L:±30%.

□ Figure



□ Package

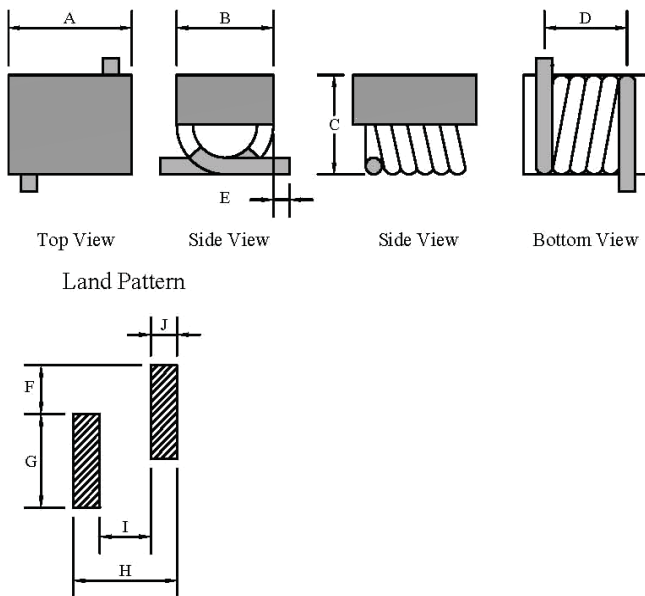
Packaging Tape Reel 178/330mm diameter reel EIA ST 481-1
Quantity : 500 piece reel / 178mm
2000 piece reel / 330mm

□ Configurations & Dimension

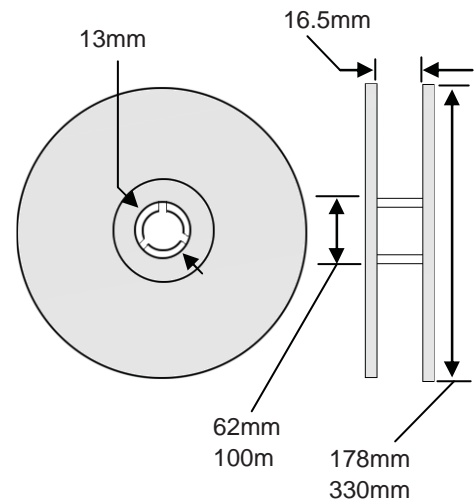
Unit: mm

TYPE	A	B	C	D	E	F	G	H	I	J
AM1812	4.7	3.5±0.2	3.5±0.2	4.3±0.4	1.0±0.3	2.7	5.2	5.8	2.9	1.5
-R12J	4.7	3.9±0.2	3.8±0.3	4.3±0.4	1.0±0.3	2.7	5.2	5.8	2.9	1.5

* Design as Customers Requested Specifications (可依特殊需求設計生產)



□ Reel Type Dimension



SINLOON®

※美隆公司產品規格及其特性參數的改變或更新恕不另行通知。

※Mayloon characteristic parameters of electronic product specification changes or updates without notice to improve



SINLOON®

平面灌膠式空芯線圈電感

Inductance Reange: 22 nH ~ 120nH

TYPE: AM1812 Series

SMD Flat Top Air Core Inductor

□ Electrical Characteristics for AM1812 Series

產品規格型號 Ordering Part Number	電感值(L) Inductance L (nH)	品質因數 Q (min)	測試頻率 Test Freq (MHz)	共振頻率 SRF(MHz) (min)
SM1812-22NK	22	100	150	3.2
SM1812-27NK	27	100	150	2.7
SM1812-33NK	33	100	150	2.5
SM1812-39NJ	39	100	150	2.1
SM1812-47NJ	47	100	150	2.1
SM1812-56NJ	56.0	100	150	1.5
SM1812-68NJ	68.0	100	150	1.5
SM1812-82NJ	82.0	100	150	1.3
SM1812-R10NJ	100.0	100	150	1.2
SM1812-R12NJ	120.0	100	150	1.1



SINLOON®