

SINLOON®

平面灌膠式空芯線圈電感
Turns: 2 ~ 5

TYPE: AM2215 Series
SMD Flat Top Air Core Inductor

□ Feature

- ◆ High frequency (高頻)
- ◆ Highest possible SRF as well as excellent Q values (高共振頻率及高品質因素)
- ◆ The constitutive property is good and easy to operate (結構性佳、使用方便)

□ Applications (用途)

- ◆ Pager, Cordless phone & High Freq. Communication Products (呼叫器、行動電話及高頻通訊類產品)
- ◆ Intercom, CATV (對講機、CATV)

□ Ordering

Product Identification of Part Number (i.e. : AM2215-02)
AM2215 SMD Flat Top Air Core Inductors Size
02 Turns

□ Figure



□ Package

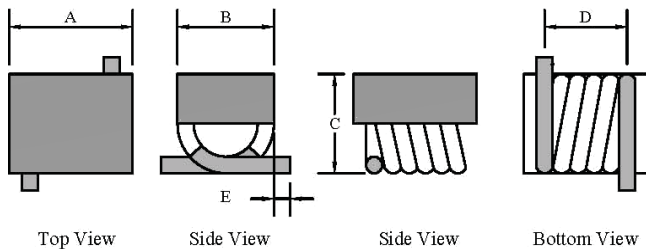
Packaging Tape Reel 178/330mm diameter
reel EIA ST 481-1
Quantity : 4000 piece reel / 330mm

□ Configurations & Dimension

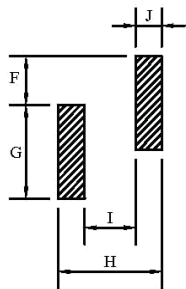
Unit: mm

TYPE	A	B	C	D	E	F	G	H	I	J
AM2215	2.2±0.3	1.4±0.2	1.4±0.2	1.8±0.4	0.9±0.3	1.0	2.5	2.6	1.0	0.8

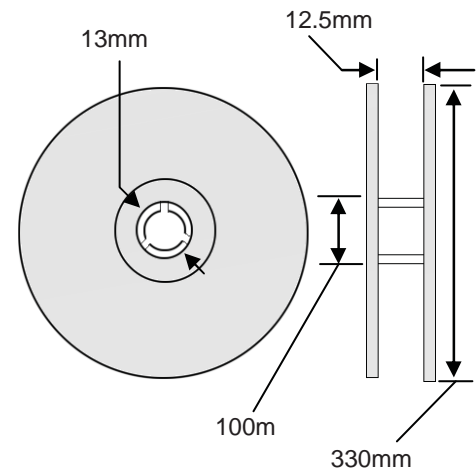
* Design as Customers Requested Specifications (可依特殊需求設計生產)



Land Pattern



□ Reel Type Dimension



□ Electrical Characteristics for AM2215 Series

產品規格型號 Ordering Part Number	圈數 Turns	電感值(L) Inductance L (nH)	品質因數 Q (min)	測試頻率 Test Freq (MHz)	共振頻率 SRF(MHz) (min)
AM2215-02	2	1.65±10%	100	800	>3.0
AM2215-03	3	2.55±10%	100	800	>3.0
AM2215-04	4	3.85±10%	100	800	>3.0
AM2215-05	5	5.45±5%	100	800	>3.0

※美隆公司產品規格及其特性參數的改變或更新恕不另行通知。

※Mayloon characteristic parameters of electronic product specification changes or updates without notice to improve

