

SINLOON®

平面灌膠式空芯線圈電感
Turns: 1 ~ 5

TYPE: AM3730 Series
SMD Flat Top Air Core Inductor

□ Feature

- ◆ High frequency (高頻)
- ◆ Highest possible SRF as well as excellent Q values (高共振頻率及高品質因素)
- ◆ The constitutive property is good and easy to operate (結構性佳、使用方便)

□ Applications (用途)

- ◆ Pager, Cordless phone & High Freq. Communication Products (呼叫器、行動電話及高頻通訊類產品)
- ◆ Intercom, CATV (對講機、CATV)

□ Ordering

Product Identification of Part Number (i.e. : AM3730-01T)
AM3730 SMD Flat Top Air Core Inductors Size
01 Turns (圈數)

□ Figure



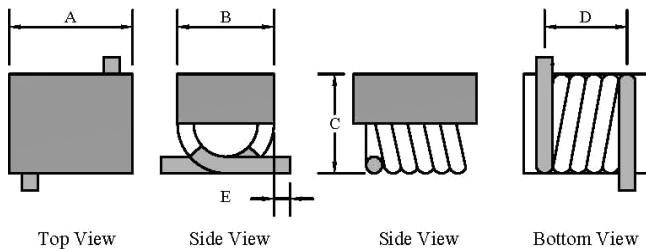
□ Package

Packaging Tape Reel 178/330mm diameter
reel EIA ST 481-1
Quantity : 700 piece reel / 178mm
2000 piece reel / 330mm

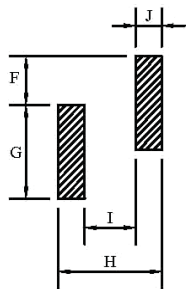
□ Configurations & Dimension

TYPE	A	B	C	D	E	F	G	H	I	J	Unit: mm
AM3730	3.3±0.3	2.5±0.2	2.6±0.2	2.9±0.4	0.7±0.3	2.8	3.3	4.2	1.7	1.3	

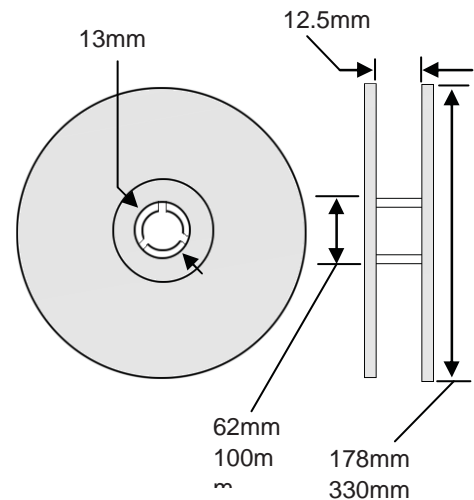
* Design as Customers Requested Specifications (可依特殊需求設計生產)



Land Pattern



□ Reel Type Dimension



□ Electrical Characteristics for AM3730 Series

產品規格型號 Ordering Part Number	圈數 Turns	電感值(L) Inductance L (nH)	品質因數 Q (min)	測試頻率 Test Freq (MHz)	共振頻率 SRF(MHz) (min)
AM3730-01T	1	2.5±10%	145	150	>3.0
AM3730-02T	2	5.0±10%	140	150	>3.0
AM3730-03T	3	8.0±10%	140	150	>3.0
AM3730-04T	4	12.5±5%	137	150	>3.0
AM3730-05T	5	18.5±5%	132	150	>2.5

※美隆公司產品規格及其特性參數的改變或更新恕不另行通知。

※Mayloon characteristic parameters of electronic product specification changes or updates without notice to improve

