

SINLOON®

無線辨別感應器線圈
Inductance Range: 2.4mH ~ 10mH

TYPE: AT1103
RFID ANTENNA

Feature

- ◆ Low profile with an extended length (超薄及加長型)
- ◆ High Q value (高品質因數)
- Applications (用途)
- ◆ Tire Pressure Monitoring System (汽車輪胎壓力監視系統)

Figure



Ordering

Product Identification of Part Number (i.e. :AT1103-251J)
AT1103: FRID Transponder Coils
-251 : Inductance
J: Tolerance ±5%

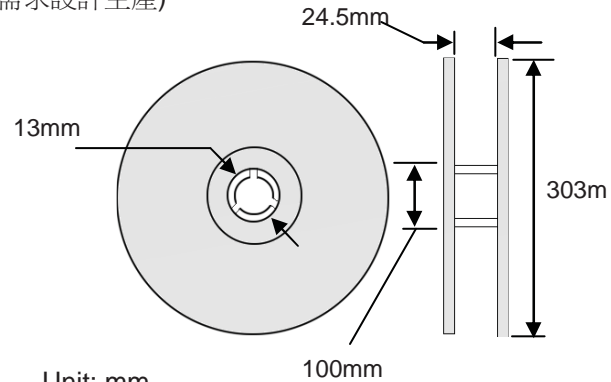
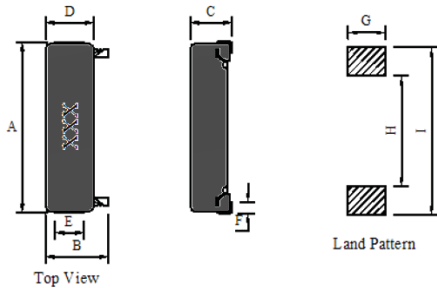
Package

Packaging Tape Reel 330mm diameter
reel EIA ST 481-1
Quantity 1,500 piece reel

Configurations & Dimension

TYPE	A (max)	B (max)	C (max)	D	E	F	G	H	I
AT1103	11.8	4.5	3.0	3.3±0.1	2.0	0.8	2.8	8.1	12.3

* Design as Customers Requested Specifications (可依特殊需求設計生產)



Electrical Characteristics for AT1103 Series

Unit: mm

產品規格型號 Ordering Part Number	電感值(L) Inductance (mH)	品質因數 Q (min)	測試頻率 Frequency (KHz)	共振頻率 SRF (KHz) (min)	直流抵抗 DCR (Ω) (max)
AT1103-251J	0.25	30.00	125	2000	4.0
AT1103-401J	0.40	30.00	125	1500	7.3
AT1103-901J	0.90	30.00	125	1000	13
AT1103-112J	1.10	30.00	125	1000	15
AT1103-202J	2.00	30.00	125	700	22
AT1103-242J	2.40	30.00	125	700	25
AT1103-332J	3.30	30.00	125	700	40
AT1103-382J	3.80	30.00	125	650	61
AT1103-402J	4.00	30.00	125	650	63
AT1103-412J	4.10	30.00	125	600	65
AT1103-492J	4.90	40.00	125	500	68
AT1103-682J	6.80	40.00	125	500	85
AT1103-712J	7.10	40.00	125	450	86
AT1103-722J	7.20	40.00	125	450	88
AT1103-812J	8.10	40.00	125	450	92
AT1103-902J	9.00	40.00	125	450	98
AT1103-952J	9.50	40.00	125	450	108

※ Test Frequency : 125KHz / 0.25V

※ Operating Temperature: -40°C ~ +85°C

※美隆公司產品規格及其特性參數的改變或更新恕不另行通知。

※Mayloon characteristic parameters of electronic product specification changes or updates without notice to improve

