

SINLOON®

閉磁式功率電感

Inductance Range: 1.1μH ~ 680μH

TYPE:

DSxxxC2 Series

SMT Shielded Power Inductors

SMT Shielded Power Inductors

| | | |
|---------|------------------|---------------|
| DS104C2 | Inductance Range | 1.1μH ~ 120μH |
| DS106C2 | Inductance Range | 1.1μH ~ 680μH |
| DS126C2 | Inductance Range | 1.7μH ~ 680μH |

□ Feature

- ◆ Magnetically shielded construction (閉磁路構造設計)
- ◆ Compact and thin (輕便薄小)
- ◆ Large Current and Low DCR (大電流低直流阻抗)

□ Applications (用途)

- ◆ TV game, Computer devices (電視遊樂器、電腦週邊設備)
- ◆ Ideal for a variety of DC/DC converter inductor applications. (各種直流轉換器適用)

□ Figure



□ Ordering

Product Identification of Part Number

Type: Ex. DS104C2-1R1N

* See Product Part of Number

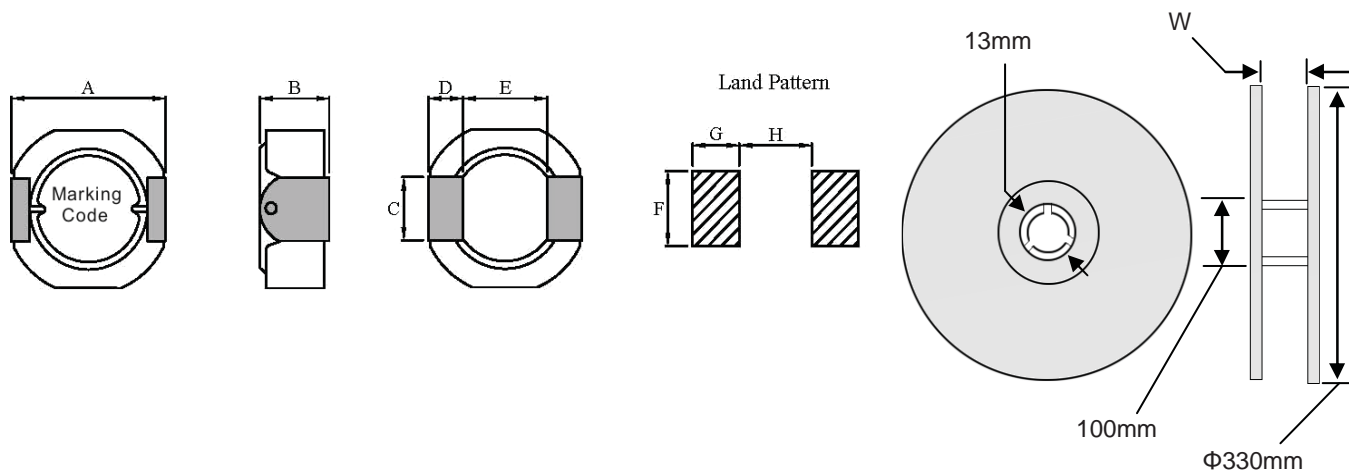
Tolerance: K ±10%; L ±15%; M ±20%; N ±30%

□ Configurations & Dimension

| TYPE | A (max) | B (max) | C | D | E | F | G | H | W | Unit:mm |
|---------|------------|------------|---------|---------|---------|-----|------|-----|------|---------------------|
| | | | | | | | | | | Reel Tape Φ330mm |
| DS104C2 | 10.4 | 4.8 | 3.0±0.2 | 2.0±0.2 | 6.0±0.2 | 3.6 | 2.65 | 5.4 | 34.5 | 500pcs |
| DS106C2 | 10.4 | 6.8 | 3.0±0.2 | 2.0±0.2 | 6.0±0.2 | 3.6 | 2.65 | 5.4 | 34.5 | 500pcs |
| DS126C2 | 12.8 | 6.8 | 3.0±0.2 | 2.7±0.2 | 6.0±0.2 | 3.6 | 2.60 | 7.9 | 34.5 | 500pcs |

※Design as Customers Requested Specifications (可依特殊需求設計生產)

□ Reel Type Dimension



SINLOON®

※美隆公司產品規格及其特性參數的改變或更新恕不另行通知。

※Mayloon characteristic parameters of electronic product specification changes or updates without notice to improve



SINLOON®

閉磁式功率電感
Inductance Range: 10μH ~ 1000μH

TYPE: DS104C2/DS106C2 Series
SMT Shielded Power Inductors

□ Electrical Characteristics for DS104C2 Series

| 產品規格型號 Ordering Part Number | 電感值(L) Inductance (μH) | 測試頻率 Test Freq. (KHz) | 直流阻抗 DCR (Ω) (max) | 定格電流 IDC (A) (max) | 字碼 Marking Code |
|-----------------------------------|------------------------------|-----------------------------|--------------------------|--------------------------|-----------------------|
| DS104C2-1R1N | 1.1 | 100 | 0.011 | 11.70 | 1R1 |
| DS104C2-1R8N | 1.8 | 100 | 0.014 | 8.70 | 1R8 |
| DS104C2-2R7N | 2.7 | 100 | 0.016 | 7.30 | 2R7 |
| DS104C2-3R9N | 3.9 | 100 | 0.018 | 5.80 | 3R9 |
| DS104C2-5R1N | 5.1 | 100 | 0.026 | 4.90 | 5R1 |
| DS104C2-6R8N | 6.8 | 100 | 0.035 | 4.50 | 6R8 |
| DS104C2-8R2N | 8.2 | 100 | 0.040 | 4.10 | 8R2 |
| DS104C2-100M | 10 | 100 | 0.044 | 3.60 | 100 |
| DS104C2-120M | 12 | 100 | 0.051 | 3.30 | 120 |
| DS104C2-150M | 15 | 100 | 0.062 | 3.10 | 150 |
| DS104C2-180M | 18 | 100 | 0.079 | 2.70 | 180 |
| DS104C2-220M | 22 | 100 | 0.087 | 2.40 | 220 |
| DS104C2-270M | 27 | 100 | 0.100 | 2.20 | 270 |
| DS104C2-330M | 33 | 100 | 0.125 | 2.00 | 330 |
| DS104C2-390M | 39 | 100 | 0.500 | 1.80 | 390 |
| DS104C2-470M | 47 | 100 | 0.175 | 1.70 | 470 |
| DS104C2-560M | 56 | 100 | 0.195 | 1.50 | 560 |
| DS104C2-680M | 68 | 100 | 0.240 | 1.30 | 680 |
| DS104C2-820M | 82 | 100 | 0.295 | 1.20 | 820 |
| DS104C2-101M | 100 | 100 | 0.380 | 1.10 | 101 |
| DS104C2-121M | 120 | 100 | 0.460 | 0.97 | 121 |

- ※ Test Frequency: 100KHz / 0.1V
- ※ Operating Temperature: -40°C ~ +85°C
- ※ Inductance drop : 30% typ at IDC.



□ Electrical Characteristics for DS106C2 Series

| 產品規格型號 Ordering Part Number | 電感值(L) Inductance (μH) | 測試頻率 Test Freq. (KHz) | 直流阻抗 DCR (Ω) (max) | 定格電流 IDC (A) (max) | 字碼 Marking Code |
|-----------------------------------|------------------------------|-----------------------------|--------------------------|--------------------------|-----------------------|
| DS106C2-1R1N | 1.1 | 100 | 0.014 | 7.00 | 1R1 |
| DS106C2-1R8N | 1.8 | 100 | 0.018 | 6.50 | 1R8 |
| DS106C2-2R7N | 2.7 | 100 | 0.020 | 6.00 | 2R7 |
| DS106C2-3R5N | 3.5 | 100 | 0.022 | 5.60 | 3R5 |
| DS106C2-4R7N | 4.7 | 100 | 0.024 | 5.20 | 4R7 |
| DS106C2-6R0N | 6.0 | 100 | 0.026 | 4.80 | 6R0 |
| DS106C2-7R5N | 7.5 | 100 | 0.030 | 4.20 | 7R5 |
| DS106C2-100M | 10 | 100 | 0.035 | 4.00 | 100 |
| DS106C2-120M | 12 | 100 | 0.040 | 3.50 | 120 |
| DS106C2-150M | 15 | 100 | 0.050 | 3.20 | 150 |
| DS106C2-180M | 18 | 100 | 0.060 | 3.00 | 180 |
| DS106C2-220M | 22 | 100 | 0.065 | 2.60 | 220 |
| DS106C2-270M | 27 | 100 | 0.075 | 2.20 | 270 |
| DS106C2-330M | 33 | 100 | 0.095 | 2.00 | 330 |
| DS106C2-390M | 39 | 100 | 0.110 | 1.90 | 390 |
| DS106C2-470M | 47 | 100 | 0.135 | 1.80 | 470 |
| DS106C2-560M | 56 | 100 | 0.145 | 1.70 | 560 |
| DS106C2-680M | 68 | 100 | 0.155 | 1.60 | 680 |
| DS106C2-820M | 82 | 100 | 0.185 | 1.50 | 820 |
| DS106C2-101M | 100 | 100 | 0.220 | 1.40 | 101 |
| DS106C2-121M | 120 | 100 | 0.255 | 1.30 | 121 |
| DS106C2-151M | 150 | 100 | 0.280 | 1.10 | 151 |
| DS106C2-181M | 180 | 100 | 0.350 | 1.00 | 181 |
| DS106C2-221M | 220 | 100 | 0.460 | 0.85 | 221 |
| DS106C2-271M | 270 | 100 | 0.600 | 0.70 | 271 |
| DS106C2-331M | 330 | 100 | 0.700 | 0.60 | 331 |
| DS106C2-391M | 390 | 100 | 0.860 | 0.55 | 391 |
| DS106C2-471M | 470 | 100 | 1.100 | 0.53 | 471 |
| DS106C2-561M | 560 | 100 | 1.250 | 0.50 | 561 |
| DS106C2-681M | 680 | 100 | 1.500 | 0.47 | 681 |

- ※ Test Frequency: 100KHz / 0.1V
- ※ Operating Temperature: -40°C ~ +85°C
- ※ Inductance drop : 30% typ at IDC.



SINLOON®

閉磁式功率電感
Inductance Range: 1.7 μ H ~ 680 μ H

TYPE: DS126C2 Series
SMT Shielded Power Inductors

□ Electrical Characteristics for DS126C2 Series

| 產品規格型號 Ordering Part Number | 電感值(L) Inductance (μ H) | 測試頻率 Test Freq. (KHz) | 直流阻抗 DCR (Ω) (max) | 定格電流 IDC (A) (max) | 字碼 Marking Code |
|-----------------------------------|------------------------------------|-----------------------------|-----------------------------------|--------------------------|-----------------------|
| DS126C2-1R7N | 1.7 | 100 | 0.010 | 11.80 | 1R7 |
| DS126C2-2R7N | 2.7 | 100 | 0.011 | 9.00 | 2R7 |
| DS126C2-3R9N | 3.9 | 100 | 0.014 | 7.90 | 3R9 |
| DS126C2-5R6N | 5.6 | 100 | 0.016 | 6.80 | 5R6 |
| DS126C2-7R5N | 7.5 | 100 | 0.017 | 5.70 | 7R5 |
| DS126C2-100N | 10.0 | 100 | 0.023 | 5.50 | 100 |
| DS126C2-120N | 12.0 | 100 | 0.027 | 5.00 | 120 |
| DS126C2-150N | 15.0 | 100 | 0.032 | 4.50 | 150 |
| DS126C2-180N | 18.0 | 100 | 0.040 | 4.10 | 180 |
| DS126C2-220N | 22.0 | 100 | 0.046 | 3.60 | 220 |
| DS126C2-270N | 27 | 100 | 0.050 | 3.20 | 270 |
| DS126C2-330N | 33 | 100 | 0.064 | 3.00 | 330 |
| DS126C2-390N | 39 | 100 | 0.074 | 2.70 | 390 |
| DS126C2-470M | 47 | 100 | 0.082 | 2.40 | 470 |
| DS126C2-560N | 56 | 100 | 0.105 | 2.00 | 560 |
| DS126C2-680N | 68 | 100 | 0.120 | 1.70 | 680 |
| DS126C2-820M | 82 | 100 | 0.145 | 1.60 | 820 |
| DS126C2-101M | 100 | 100 | 0.170 | 1.50 | 101 |
| DS126C2-121M | 120 | 100 | 0.185 | 1.30 | 121 |
| DS126C2-151M | 150 | 100 | 0.235 | 1.20 | 151 |
| DS126C2-181M | 180 | 100 | 0.290 | 1.10 | 181 |
| DS126C2-221M | 220 | 100 | 0.350 | 1.00 | 221 |
| DS126C2-271M | 270 | 100 | 0.415 | 0.93 | 271 |
| DS126C2-331M | 330 | 100 | 0.495 | 0.83 | 331 |
| DS126C2-391M | 390 | 100 | 0.610 | 0.76 | 391 |
| DS126C2-471M | 470 | 100 | 0.705 | 0.67 | 471 |
| DS126C2-561M | 560 | 100 | 0.900 | 0.62 | 561 |
| DS126C2-681M | 680 | 100 | 1.120 | 0.55 | 681 |



- ※ Test Frequency: 100KHz / 0.1V
- ※ Operating Temperature: -40°C ~ +85°C
- ※ Inductance drop : 30% typ at IDC.

※美隆公司產品規格及其特性參數的改變或更新恕不另行通知。
 ※Mayloon characteristic parameters of electronic product specification changes or updates without notice to improve

SINLOON®

