

**SINLOON®**

閉磁式功率電感

Inductance Range: 1.5μH ~ 33μH

TYPE: RH2D Series

SMT Shielded Power Inductors

SMT Shielded Power Inductors

RH2D11 Inductance Range: 1.5μH ~ 10μH

RH2D14 Inductance Range: 1.5μH ~ 12μH

RH2D18 Inductance Range: 2.2μH ~ 33μH

**Feature**

- ◆ Magnetically shielded construction (閉磁路構造設計)
- ◆ Compact and thin (輕便薄小)
- ◆ Large Current and Low DCR (大電流低直流阻抗)

**Applications**

- ◆ DC-DC converter of portable equipment. (攜帶機器之直流轉換器)
- ◆ Camcorder, LCD television set, Digital camera, P.D.A., Notebook. (攝影機、液晶電視、數位相機、P.D.A.、筆記型電腦)

**Figure**



**Ordering**

Product Identification of Part Number

Type: Ex. RH2D11-1R5N

Tolerance: K ±10%; L ±15%; M ±20%; N ±30%.

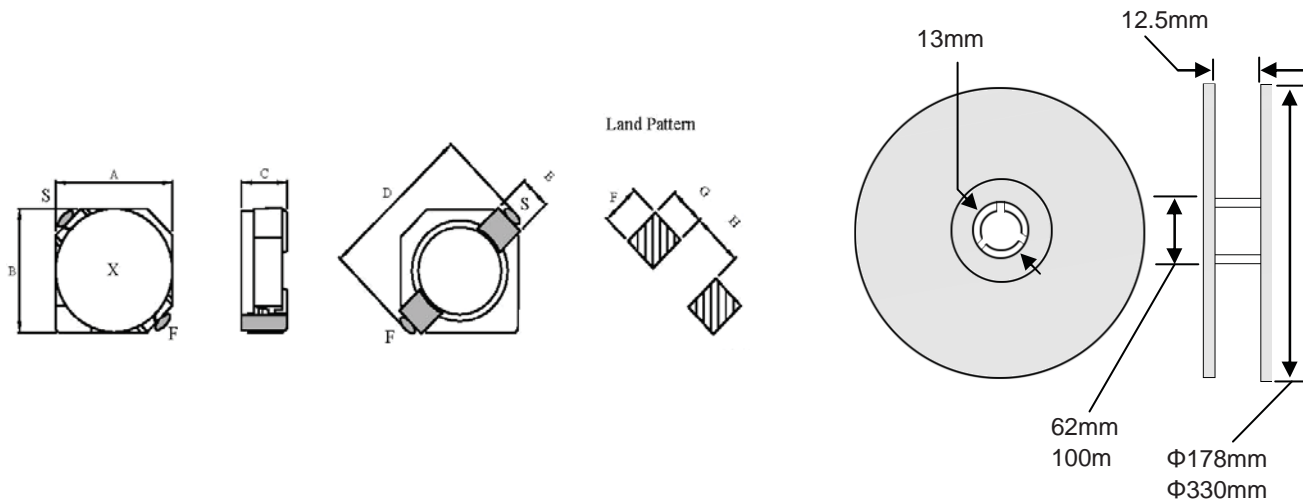
\* See Product Part of Number

**Configurations & Dimension**

TYPE	A (max)	B (max)	C (max)	D (max)	E (ref.)	F	G	H	I	Unit:mm
										Reel Tape Φ178/Φ330
RH2D11	3.2	3.2	1.30	4.3	1.0	3.1	3.4	1.1	1.2	1K5/4K5pc
RH2D14	3.2	3.2	1.55	4.3	1.0	3.1	3.4	1.1	1.2	1K/4K5pc
RH2D18	3.2	3.2	2.00	4.3	1.0	3.1	3.4	1.1	1.2	--/3Kpcs

※Design as Customers Requested Specifications (可依特殊需求設計生產)

**Reel Type Dimension**



**SINLOON®**

※美隆公司產品規格及其特性參數的改變或更新恕不另行通知。

※Mayloon characteristic parameters of electronic product specification changes or updates without notice to improve



**SINLOON®**

閉磁式功率電感

Inductance Range: 1.5μH ~ 33μH

TYPE: RH2D Series

SMT Shielded Power Inductors

□ Electrical Characteristics for RH2D11 Series

產品規格型號 Ordering Part Number	電感值(L) Inductance (μH)	測試頻率 Test Freq. (KHz)	直流阻抗 DCR (Ω) (max)	定格電流 Isat (A) (max)	溫升電流 Irms(A) (max)	字碼 Marking Code
RD2D11-1R5N	1.5	100	0.068	0.90	1.48	B
RD2D11-2R2N	2.2	100	0.098	0.78	1.27	D
RD2D11-3R3N	3.3	100	0.123	0.6	1.02	F
RD2D11-4R7N	4.7	100	0.170	0.50	0.88	H
RD2D11-6R8N	6.8	100	0.260	0.44	0.8	J
RD2D11-100N	10.0	100	0.400	0.35	0.65	L



※Design as Customers Requested Specifications (可依特殊需求設計生產)

- ※ Test Frequency : 100KHz / 0.1V
- ※ Operating Temperature: -40°C ~ +85°C
- ※ Inductance drop : 35% typ at Isat.
- ※ ΔT : 40°C rise at Irms.

□ Electrical Characteristics for RH2D14 Series

產品規格型號 Ordering Part Number	電感值(L) Inductance (μH)	測試頻率 Test Freq. (KHz)	直流阻抗 DCR (Ω) (max)	定格電流 Isat (A) (max)	溫升電流 Irms(A) (max)	字碼 Marking Code
RH2D14-1R5N	1.5	100	0.063	1.80	2.00	B
RH2D14-1R8N	1.8	100	0.075	1.65	1.80	V
RH2D14-2R2N	2.2	100	0.094	1.50	1.60	D
RH2D14-2R7N	2.7	100	0.106	1.35	1.40	E
RH2D14-3R3N	3.3	100	0.125	1.20	1.24	F
RH2D14-3R9N	3.9	100	0.138	1.10	1.12	G
RH2D14-4R7N	4.7	100	0.169	1.00	1.00	H
RH2D14-5R6N	5.6	100	0.188	0.95	0.98	I
RH2D14-6R8N	6.8	100	0.213	0.85	0.92	J
RH2D14-8R2N	8.2	100	0.281	0.80	0.80	K
RH2D14-100N	10.0	100	0.294	0.70	0.76	L
RH2D14-120N	12.0	100	0.394	0.62	0.64	M



※Design as Customers Requested Specifications (可依特殊需求設計生產)

- ※ Test Frequency : 100KHz / 0.1V
- ※ Operating Temperature: -40°C ~ +85°C
- ※ Inductance drop : 35% typ at Isat.
- ※ ΔT : 40°C rise at Irms.

□ Electrical Characteristics for RH2D18 Series

產品規格型號 Ordering Part Number	電感值(L) Inductance (μH)	測試頻率 Test Freq. (KHz)	直流阻抗 DCR (Ω) (max)	定格電流 Isat (A) (max)	字碼 Marking Code
RH2D18-2R2N	2.2	100	0.043	0.850	C
RH2D18-3R3N	3.3	100	0.06	0.770	D
RH2D18-4R7N	4.7	100	0.081	0.630	F
RH2D18-6R8N	6.8	100	0.108	0.570	I
RH2D18-100N	10.0	100	0.201	0.450	K
RH2D18-150N	15.0	100	0.227	0.350	M
RH2D18-220N	22.0	100	0.331	0.300	O
RH2D18-330N	33.0	100	0.481	0.230	Q



※Design as Customers Requested Specifications (可依特殊需求設計生產)

- ※ Test Frequency : 100KHz / 0.1V
- ※ Operating Temperature: -40°C ~ +85°C
- ※ Inductance drop : 35% typ at Isat.

※美隆公司產品規格及其特性參數的改變或更新恕不另行通知。

※Mayloon characteristic parameters of electronic product specification changes or updates without notice to improve



品質承諾標誌  
QUALITY COMMITMENT