



閉磁式功率電感
Inductance Range: 1.2 μ H ~ 33 μ H

TYPE: RH2D-A Series
SMT Shielded Power Inductors

SMT Shielded Power Inductors

- RH2D09A Range 1.2 μ H ~ 10 μ H
- RH2D11A Range 1.5 μ H ~ 10 μ H
- RH2D14A Range 1.5 μ H ~ 12 μ H
- RH2D18A Range 2.2 μ H ~ 33 μ H

□ Feature

- ◆ Magnetically shielded construction (閉磁路構造設計)
- ◆ Compact and thin (輕便薄小)
- ◆ Large Current and Low DCR (大電流低直流阻抗)

□ Applications

- ◆ DC-DC converter of portable equipment. (攜帶機器之直流轉換器)
- ◆ Camcorder, LCD television set, Digital camera, P.D.A., Notebook. (攝影機、液晶電視、數位相機、P.D.A.、筆記型電腦)

□ Configurations & Dimension

TYPE	A (max)	B (max)	C (max)	D (max)	E (ref.)	F	G	H	Unit:mm Tape Reel Packing	
									Φ178	Φ330
RH2D09A	3.2	3.2	1.00	4.3	1.0	1.3	1.3	1.7	1500	4500
RH2D11A	3.2	3.2	1.20	4.3	1.0	1.3	1.3	1.7	1500	4500
RH2D14A	3.2	3.2	1.55	4.3	1.0	1.3	1.3	1.7	1000	4500
RH2D18A	3.2	3.2	2.00	4.3	1.0	1.3	1.3	1.7	---	3000

※Design as Customers Requested Specifications (可依特殊需求設計生產)

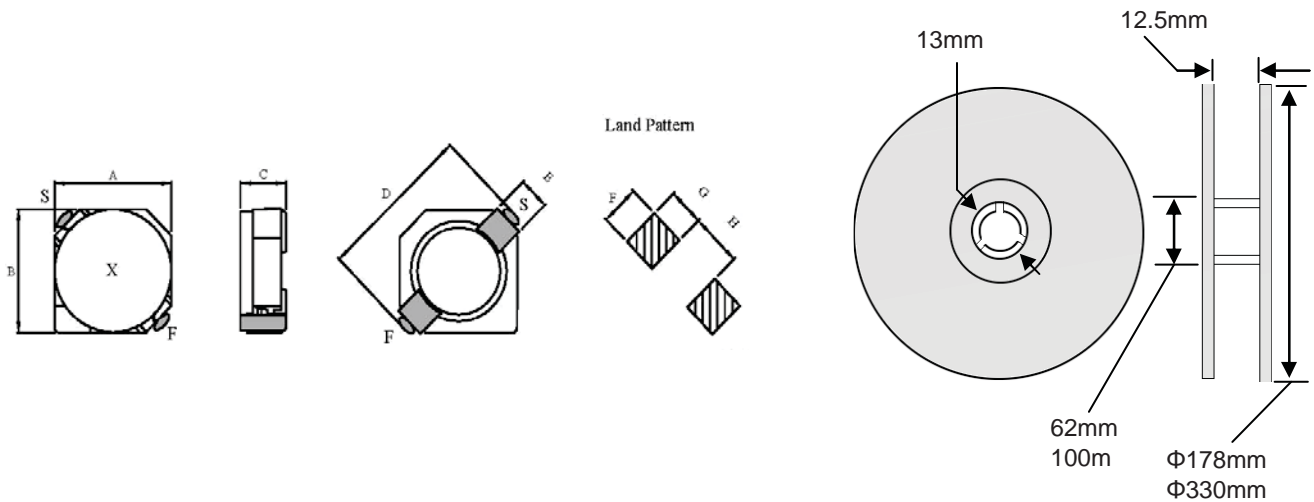
□ Figure



□ Ordering

Product Identification of Part Number
Type: Ex. RH2D09A-1R2N
* See Product Part of Number

□ Reel Type Dimension



※美隆公司產品規格及其特性參數的改變或更新恕不另行通知。

※Mayloon characteristic parameters of electronic product specification changes or updates without notice to improve



□ Electrical Characteristics for RH2D09A Series

產品規格型號 Ordering Part Number	電感值(L) Inductance (μH)	測試頻率 Test Freq. (KHz)	直流阻抗 DCR (Ω) (max)	定格電流 Isat (A) (max)	溫升電流 Irms(A) (max)	字碼 Marking
RH2D09A-1R2N	1.2	100	0.0975	0.80	1.24	A
RH2D09A-1R5N	1.5	100	0.110	0.73	1.15	B
RH2D09A-1R8N	1.8	100	0.131	0.65	1.06	C
RH2D09A-2R2N	2.2	100	0.144	0.60	1.05	D
RH2D09A-2R5N	2.5	100	0.150	0.53	0.98	E
RH2D09A-3R0N	3.0	100	0.194	0.47	0.84	F
RH2D09A-3R9N	3.9	100	0.225	0.45	0.72	G
RH2D09A-4R7N	4.7	100	0.288	0.41	0.64	H
RH2D09A-5R6N	5.6	100	0.325	0.37	0.59	I
RH2D09A-6R8N	6.8	100	0.425	0.33	0.53	J
RH2D09A-8R2N	8.2	100	0.475	0.30	0.46	K
RH2D09A-100N	10.0	100	0.538	0.28	0.42	L



□ Electrical Characteristics for RH2D11A Series

產品規格型號 Ordering Part Number	電感值(L) Inductance (μH)	測試頻率 Test Freq. (KHz)	直流阻抗 DCR (Ω) (max)	定格電流 Isat (A) (max)	溫升電流 Irms(A) (max)	字碼 Marking
RH2D11A-1R5N	1.5	100	0.068	0.90	1.48	B
RH2D11A-2R2N	2.2	100	0.098	0.78	1.27	D
RH2D11A-3R3N	2.5	100	0.123	0.60	1.02	F
RH2D11A-4R7N	4.7	100	0.170	0.50	0.88	H
RH2D11A-6R8N	6.8	100	0.260	0.44	0.80	J
RH2D11A-100N	10.0	100	0.400	0.35	0.65	L



□ Electrical Characteristics for RH2D14A Series

產品規格型號 Ordering Part Number	電感值(L) Inductance (μH)	測試頻率 Test Freq. (KHz)	直流阻抗 DCR (Ω) (max)	定格電流 Isat (A) (max)	溫升電流 Irms(A) (max)	字碼 Marking
RH2D14A-1R5N	1.5	100	0.063	1.800	2.00	B
RH2D14A-1R8N	1.8	100	0.075	1.650	1.80	C
RH2D14A-2R2N	2.2	100	0.094	1.500	1.60	D
RH2D14A-2R7N	2.5	100	0.106	1.350	1.40	E
RH2D14A-3R3N	3.0	100	0.125	1.200	1.24	F
RH2D14A-3R9N	3.9	100	0.138	1.100	1.12	G
RH2D14A-4R7N	4.7	100	0.169	1.000	1.00	H
RH2D14A-5R6N	5.6	100	0.188	0.945	0.98	I
RH2D14A-6R8N	6.8	100	0.213	0.850	0.92	J
RH2D14A-8R2N	8.2	100	0.281	0.800	0.80	K
RH2D14A-100N	10.0	100	0.294	0.700	0.76	L
RH2D14A-120N	12.0	100	0.394	0.620	0.64	M



□ Electrical Characteristics for RH2D18A Series

產品規格型號 Ordering Part Number	電感值(L) Inductance (μH)	測試頻率 Test Freq. (KHz)	直流阻抗 DCR (Ω) (max)	定格電流 Isat (A) (max)	字碼 Marking
RH2D18A-2R2N	2.2	100	0.043	0.850	C
RH2D18A-3R3N	3.0	100	0.06	0.770	D
RH2D18A-4R7N	4.7	100	0.081	0.630	F
RH2D18A-6R8N	6.8	100	0.108	0.570	I
RH2D18A-100N	10.0	100	0.201	0.450	K
RH2D18A-150N	15.0	100	0.227	0.350	M
RH2D18A-220N	22.0	100	0.331	0.300	O
RH2D18A-330N	33.0	100	0.481	0.230	Q



- ※ Test Frequency : 100KHz / 0.1V
- ※ Operating Temperature: -40°C ~ +85°C
- ※ Inductance drop : 35% typ at Isat.
- ※ ΔT : 40°C rise at Irms.