

**SINLOON®**

**閉磁式功率電感**

Inductance Range: 3.0μH ~ 1000μH

TYPE: RH6D Series

SMT Shielded Power Inductors

SMT Shielded Power Inductors

RH6D28 Inductance Range 3.0μH ~ 680μH

RH6D38 Inductance Range 3.3μH ~ 1000μH

□ Figure



□ Feature

- ◆ Magnetically shielded construction (閉磁路構造設計)
- ◆ Compact and thin (輕便薄小)
- ◆ Large Current and Low DCR (大電流低直流阻抗)

□ Applications

- ◆ DC-DC converter of portable equipment. (攜帶機器之直流轉換器)
- ◆ Camcorder, LCD television set, Digital camera, P.D.A., Notebook. (攝影機、液晶電視、數位相機、P.D.A.、筆記型電腦)

□ Ordering

Product Identification of Part Number

Type: Ex. RH6D28-3R0N

\* See Product Part of Number

Tolerance:

K ±10%; L ±15%; M ±20%; N ±30%

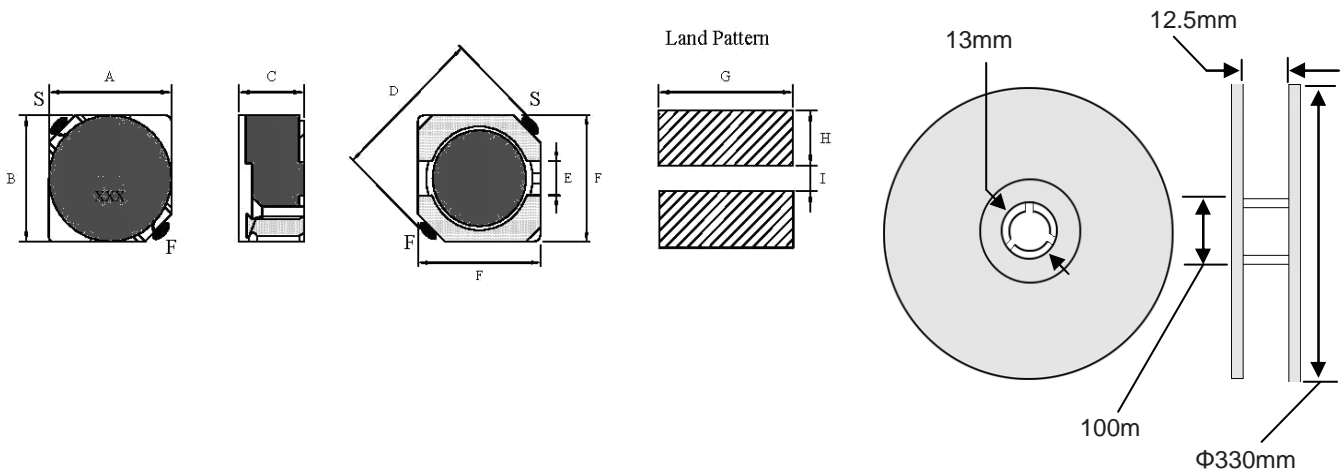
□ Configurations & Dimension

Unit:mm

TYPE	A	B	C (max)	D (max)	E (ref.)	F (ref.)	G	H	I	Packing
										Φ330
RH6D28	6.7±0.3	6.7±0.3	3.0	9.5	2.0	6.5	7.3	2.65	2.0	2000pcs
RH6D38	6.7±0.3	6.7±0.3	4.0	9.5	2.0	6.5	7.3	2.65	2.0	2000pcs

※Design as Customers Requested Specifications (可依特殊需求設計生產)

□ Reel Type Dimension



**SINLOON®**

※美隆公司產品規格及其特性參數的改變或更新恕不另行通知。

※Mayloon characteristic parameters of electronic product specification changes or updates without notice to improve



**SINLOON®**

閉磁式功率電感

Inductance Range: 3.0μH ~ 680μH

TYPE: RH6D28 Series

SMT Shielded Power Inductors

□ **Electrical Characteristics for RH6D28 Series** RH6D28 Inductance Range 3.0μH ~ 680μH

產品規格型號 Ordering Part Number	電感值(L) Inductance (μH)	測試頻率 Test Frequency (KHz)	直流阻抗 DCR (Ω) (max)	定格電流 IDC (A) (max)	字碼 Marking Code
RH6D28-3R0N	3.00	10	0.0240	3.000	3R0
RH6D28-3R9N	3.90	10	0.0270	2.600	3R9
RH6D28-5R0N	5.00	10	0.0310	2.400	5R0
RH6D28-6R0N	6.00	10	0.0350	2.250	6R0
RH6D28-7R3N	7.30	10	0.0540	2.100	7R3
RH6D28-8R6N	8.60	10	0.0580	1.850	8R6
RH6D28-100M	10.00	10	0.0650	1.700	100
RH6D28-120M	12.00	10	0.0700	1.550	120
RH6D28-150M	15.00	10	0.0840	1.400	150
RH6D28-180M	18.00	10	0.0950	1.320	180
RH6D28-220M	22.0	10	0.1280	1.200	220
RH6D28-270M	27.0	10	0.1420	1.050	270
RH6D28-330M	33.0	10	0.1650	0.970	330
RH6D28-390M	39.0	10	0.2100	0.860	390
RH6D28-470M	47.0	10	0.2380	0.800	470
RH6D28-560M	56.0	10	0.2770	0.730	560
RH6D28-680M	68.0	10	0.3040	0.650	680
RH6D28-820M	82.0	10	0.3900	0.600	820
RH6D28-101M	100.0	10	0.5350	0.540	101
RH6D28-121M	120.0	10	0.7500	0.510	121
RH6D28-151M	150.0	10	0.9500	0.470	151
RH6D28-181M	180.0	10	1.2000	0.410	181
RH6D28-221M	220	10	1.5000	0.370	221
RH6D28-271M	270	10	1.7000	0.330	271
RH6D28-331M	330	10	2.1500	0.280	331
RH6D28-391M	390	10	2.2500	0.270	391
RH6D28-471M	470	10	3.1500	0.210	471
RH6D28-561M	560	10	3.7500	0.200	561
RH6D28-681M	680	10	5.1500	0.200	681

- ※ Test Frequency: 100KHz / 0.1V
- ※ Operating Temp. : -40°C ~ +85°C
- ※ Inductance Drop = 35% Typ. At IDC
- ※ Design as Customers Requested Specifications (可依特殊需求設計生產)



※美隆公司產品規格及其特性參數的改變或更新恕不另行通知。  
 ※Mayloon characteristic parameters of electronic product specification changes or updates without notice to improve



**SINLOON®**

閉磁式功率電感

Inductance Range: 3.3μH ~ 1000μH

TYPE: RH6D38 Series

SMT Shielded Power Inductors

□ **Electrical Characteristics for RH6D38 Series**    RH6D38    Inductance:    3.3μH ~ 1000μH

產品規格型號 Ordering Part Number	電感值(L) Inductance (μH)	測試頻率 Test Frequency (KHz)	直流阻抗 DCR (Ω) (max)	定格電流 IDC (A) (max)	字碼 Marking Code
RH6D38-3R3N	3.30	10	0.020	3.50	3R3
RH6D38-5R0N	5.00	10	0.024	2.90	5R0
RH6D38-6R2N	6.20	10	0.027	2.50	6R2
RH6D38-7R4N	7.40	10	0.031	2.30	7R4
RH6D38-8R7N	8.70	10	0.034	2.20	8R7
RH6D38-100M	10.00	10	0.038	2.00	100
RH6D38-120M	12.00	10	0.053	1.70	120
RH6D38-150M	15.00	10	0.057	1.60	150
RH6D38-180M	18.00	10	0.092	1.50	180
RH6D38-220M	22.0	10	0.096	1.30	220
RH6D38-270M	27.0	10	0.109	1.20	270
RH6D38-330M	33.0	10	0.124	1.10	330
RH6D38-390M	39.0	10	0.138	1.00	390
RH6D38-470M	47.0	10	0.155	0.95	470
RH6D38-560M	56.0	10	0.202	0.85	560
RH6D38-680M	68.0	10	0.234	0.75	680
RH6D38-820M	82.0	10	0.324	0.70	820
RH6D38-101M	100.0	10	0.358	0.65	101
RH6D38-121M	121.0	10	0.470	0.59	121
RH6D38-151M	150.0	10	0.580	0.54	151
RH6D38-181M	180.0	10	0.690	0.49	181
RH6D38-221M	220.0	10	0.890	0.43	221
RH6D38-271M	270.0	10	1.290	0.40	271
RH6D38-331M	330.0	10	1.700	0.37	331
RH6D38-391M	390.0	10	1.750	0.34	391
RH6D38-471M	470.0	10	2.200	0.32	471
RH6D38-561M	560.0	10	2.850	0.29	561
RH6D38-681M	680.0	10	3.200	0.25	681
RH6D38-821M	820.0	10	4.050	0.22	821
RH6D38-102M	1000.0	10	5.700	0.20	102

※ Test Frequency: 100KHz / 0.1V

※ Operating Temp. : -40°C ~ +85°C

※ Inductance Drop = 35% Typ. At IDC

※ Design as Customers Requested Specifications (可依特殊需求設計生產)



※美隆公司產品規格及其特性參數的改變或更新恕不另行通知。

※Mayloon characteristic parameters of electronic product specification changes or updates without notice to improve

