

**SINLOON®**

閉磁式功率電感

Inductance Range: 2.0μH ~ 100μH

TYPE: RH8D Series

SMT Shielded Power Inductors

SMT Shielded Power Inductors

RH8D28 Inductance Range 2.5μH ~ 100μH

RH8D43 Inductance Range 2.0μH ~ 100μH

□ Figure



□ Feature

- ◆ Magnetically shielded construction (閉磁路構造設計)
- ◆ Compact and thin (輕便薄小)
- ◆ Large Current and Low DCR (大電流低直流阻抗)

□ Applications

- ◆ DC-DC converter of portable equipment. (攜帶機器之直流轉換器)
- ◆ Camcorder, LCD television set, Digital camera, P.D.A., Notebook. (攝影機、液晶電視、數位相機、P.D.A.、筆記型電腦)

□ Ordering

Product Identification of Part Number

Type: Ex. RH8D28-2R5N

\* See Product Part of Number

Tolerance: K ±10%; L ±15%; M ±20%; N ±30%

Packing: RH8D28 1000pcs/Reel Φ330mm

RH8D43 500pcs/Reel Φ330mm

□ Configurations & Dimension

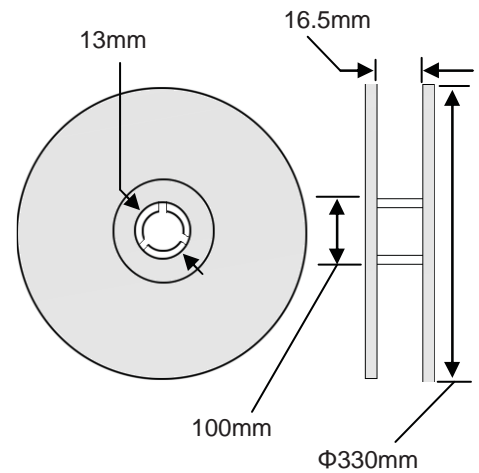
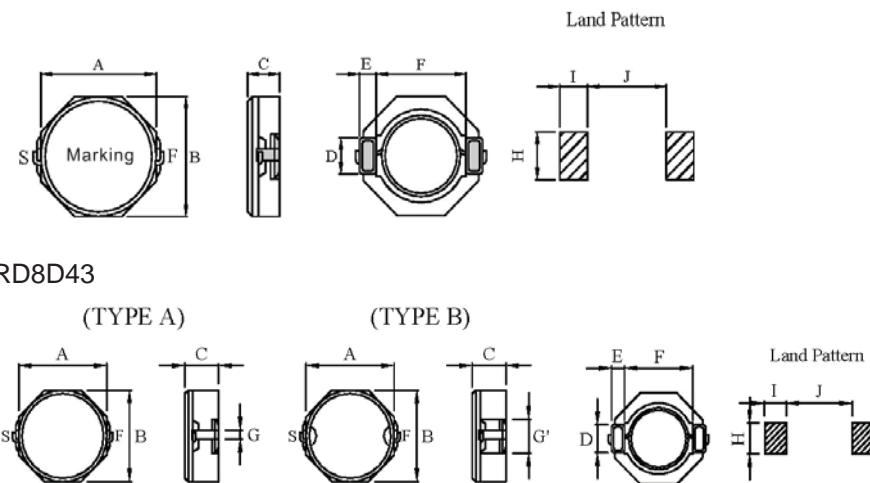
Unit:mm

TYPE	A (max)	B (max)	C (max)	D (max)	E (ref.)	F	G/G'	H	I	J
RH8D28	8.3	8.3	3.0	2.5	1.2	6.3	---	2.8	2.0	6.1
RH8D43	8.3	8.3	4.5	2.5	1.2	6.3	1.2/2.5	2.8	2.0	6.1

※Design as Customers Requested Specifications (可依特殊需求設計生產)

RH8D28

□ Reel Type Dimension



**SINLOON®**

※美隆公司產品規格及其特性參數的改變或更新恕不另行通知。

※Mayloon characteristic parameters of electronic product specification changes or updates without notice to improve



**SINLOON®**

閉磁式功率電感

Inductance Range: 1.2 $\mu$ H ~ 47 $\mu$ H

TYPE: RH8D Series

SMT Shielded Power Inductors

□ Electrical Characteristics for RH8D28 Series

產品規格型號 Ordering Part Number	電感值(L) Inductance ( $\mu$ H)	測試頻率 Test Freq. (KHz)	直流阻抗 DCR ( $\Omega$ ) (max)	定格電流 Isat (A) (max)	溫升電流 Irms(A) (max)	字碼 Marking Code
RD8D28-2R5N	2.50	100	0.016	4.50	6.40	2R5
RD8D28-3R3N	3.30	100	0.018	4.00	6.00	3R3
RD8D28-4R7N	4.70	100	0.025	3.40	4.50	4R7
RD8D28-7R3N	7.30	100	0.039	2.80	3.40	7R3
RD8D28-100M	10.0	100	0.047	2.50	3.20	10R
RD8D28-150M	15.0	100	0.069	1.90	2.35	15R
RD8D28-220M	22.0	100	0.099	1.60	1.85	22R
RD8D28-330M	33.0	100	0.156	1.30	1.45	33R
RD8D28-470M	47.0	100	0.195	1.15	1.30	47R
RD8D28-680M	68.0	100	0.286	0.92	0.98	68R
RD8D28-101M	100.0	100	0.430	0.75	0.80	100



- ※ Test Frequency: 100KHz / 0.1V
- ※ Operating Temperature: -40°C ~ +85°C
- ※ Inductance drop : 35% typ at Isat.
- ※  $\Delta$ T : 40°C rise at Irms.

□ Electrical Characteristics for RH8D43 Series

產品規格型號 Ordering Part Number	電感值(L) Inductance ( $\mu$ H)	測試頻率 Test Freq. (KHz)	直流阻抗 DCR ( $\Omega$ ) (max)	定格電流 Isat (A) (max)	溫升電流 Irms(A) (max)	字碼 Marking Code
RH8D43-2R0N	2.2	100	0.0140	7.00	5.50	2R2
RH8D43-3R9N	3.9	100	0.0190	5.90	4.50	3R9
RH8D43-4R7N	4.7	100	0.0220	5.60	4.10	4R7
RH8D43-6R8N	6.8	100	0.0250	4.40	3.90	6R8
RH8D43-100N	10.0	100	0.0360	4.00	3.20	10R
RH8D43-150N	15.0	100	0.0530	2.90	2.80	15R
RH8D43-220N	22.0	100	0.0750	2.60	1.80	22R
RH8D43-330N	33.0	100	0.1250	2.20	1.40	33R
RH8D43-470N	47.0	100	0.1500	1.80	1.30	47R
RH8D43-680N	68.0	100	0.2400	1.50	1.00	68R
RH8D43-101N	100.0	100	0.3600	1.30	0.80	100

- ※ Test Frequency: 100KHz / 0.1V
- ※ Operating Temperature: -40°C ~ +85°C
- ※ Inductance drop : 35% typ at Isat.
- ※  $\Delta$ T : 40°C rise at Irms.
- ※ Design as Customers Requested Specifications (可依特殊需求設計生產)

**SINLOON®**

※美隆公司產品規格及其特性參數的改變或更新恕不另行通知。

※Mayloon characteristic parameters of electronic product specification changes or updates without notice to improve

