

SINLOON®

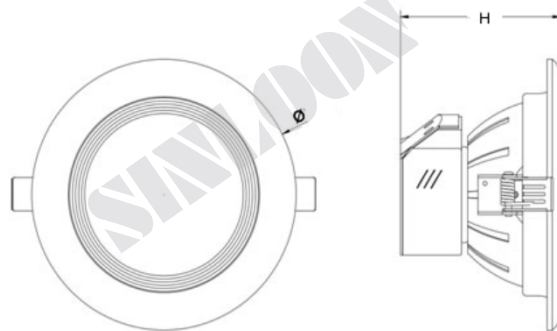
LED 筒燈/天花燈

LED Down Light - 138

Data Specification:


 Performance & parameter of product

Model No.	Part Number	OT13830-8W	OT13840-12W
Performance Parameter	Lamp	Warm white/Natural white/Cool white	
	Lumen (lm)	550 lm/600lm/650lm	950lm/1000lm/1100lm
	Color temperature (K)	3000K/4200K/6500K	3000K/4200K/6500K
	CRI	≥70	≥70
	Type of LED	SMD 2835	SMD 2835
	Beam angle	111°	111°
	Decay rate (%)	less than 3% within 1000 working hours	
	Total power (W)	7-9W	11-13W
	Lifespan (Hrs)	≥30000Hrs	≥30000Hrs
	High voltage testing	1750Vac/1min	1750Vac/1min
LED parameter	Lighting efficiency	100LM/W	100LM/W
	Chip quantity	40PCS	60PCS
	Series-parallel way	8S5P	12S5P
	Voltage	24-26VDC	36-40VDC
	Current	300mA	300mA
Driver Parameter	Input parameter	100~240VAC · 50/60Hz	
	Power factor	0.48	0.48
	Output parameter	21-32VDC,300mA	30-42VDC,300mA
Structure Parameter	Material	Cast-Aluminium	Cast-Aluminium
	Dimension	φ130*H78.5mm	φ160*H83.5mm
	Cut-out	φ100mm	φ120mm
	Protection class	calss II	calss II
	Ingress Protection	IP20	IP20
Environment Parameter	Application	Hotel,Home-lighting,Recreation place,Supermarket,Office building.	
	Operating temperature	-25℃ ~ 50℃ · 10% ~ 90% R.H.	
	Storage temperature	-30℃ ~ 85℃ · 0% ~ 95% R.H.	
Packing Specification	Qty/Ctn	8PCS/Ctn	8PCS/Ctn



* Others data not in the specification of data, please contact us.

如果你要求的規格參數不在本規格書裡表現出來請與我們聯絡。