

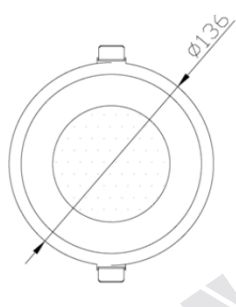
LED Down Light - 67

Data Specification:

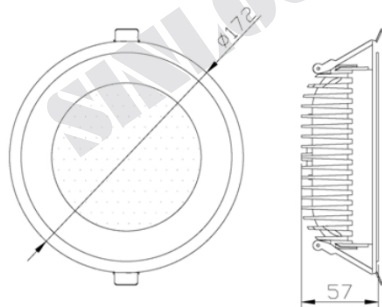


Performance & parameter of product

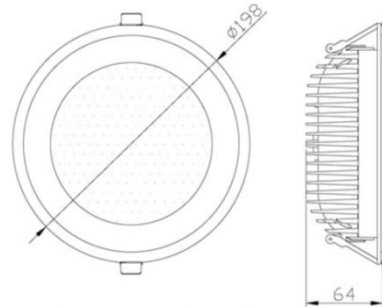
Model No.	Part Number	OT6735-8W	OT6740-10W	OT6760-20W
Structure parameter	Dimension	Φ136*51mm	Φ172*57mm	Φ198*64mm
	Cut-out	Φ120mm	Φ150mm	Φ175mm
Performance parameter	Lamp	Warm white/Natural white/Cool white		
	Lumen (lm)	508lm/550lm/600lm	508lm/550lm/600lm	1350lm/1450lm/1550lm
	Color temperature (K)	3000K/4200K/6500K		
	CRI	≥70		
	Type of LED	COB LED		
	Beam angle	92°	98°	99°
	Decay rate (%)	less than 3% within 1000 working hours		
	Total power (W)	7-8W	10-11W	20-22W
	Lifespan (Hrs)	≥30000Hrs		
	High voltage testing	1750Vac/1min		
LED parameter	Lighting efficiency	100LM/W		
	Chip quantity	50PCS	60PCS	96PCS
	series-parallel way	5S10P	6S10P	12S8P
	Voltage	15-17VDC	18-20VDC	37-39VDC
	Current	500mA	550mA	550mA
Driver parameter	Input parameter	100~240VAC · 50/60Hz		
	Power factor	0.8		0.9
	Output parameter	9-18VDC,500mA	18-24VDC,550m	24-42VDC,550mA
Structure parameter	Material	Cast-Aluminium		
	Protection class	calss I		
	Ingress Protection	IP20		
Environment parameter	Application	Hotel,Home-lighting,Recreation place,Supermarket,Office building.		
	Operating temperature	-25℃ ~ 50℃ · 10% ~ 90% R.H.		
	Storage temperature	-30℃ ~ 85℃ · 0% ~ 95% R.H.		
Packing specification	Qty/Ctn	Carton Size		
	20PCS/Ctn			



OT6735-8W



OT6740-10W



OT6760-20W

\* Others data not in the specification of data, please contact us.

如果你要求的規格參數不在本規格書裡表現出來請與我們聯絡。