

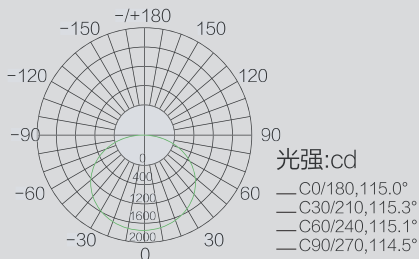
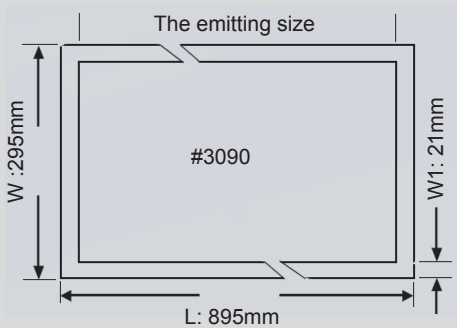
Model No. CT-F309021-11 (25W/1900lm)

Feature:

- ◆ Frame size: Ultra-thin devise 10.9mm
- ◆ Frame material: Aluminum metal
- ◆ Voltage Type: Constant current
- ◆ On lighting: Transient to start
- ◆ Input Voltage: AC220-240V / 50/60Hz
- ◆ Light source: LED SMD5630/4014 chip diode
- ◆ Shine: To product light not flashing
- ◆ Panel: Ultra-thin guiding light, Energy conservation



Silver-gray Aluminum frame #3090

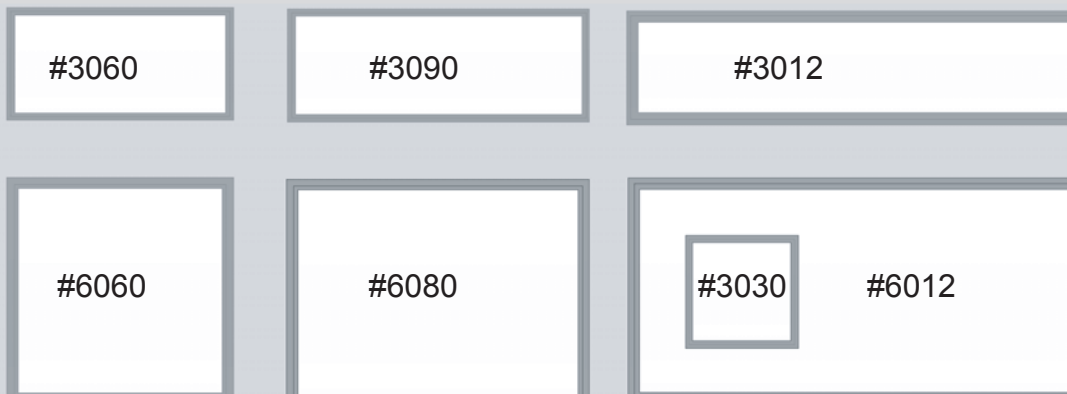


Characteristic Parameters:

型號 Model:	CT-F309021-11
尺寸 Dimension (L*W*T):	295*895*10.9mm
發光尺寸 The Emitting Size:	257*857mm
輸入電壓 Input Voltage (High efficiency):	AC110V~240V 50/60Hz
輸出電壓 Output Voltage:	35.2V/DC
電流 Current:	0.6A
類型 LED Type:	SMD-5630
數量 LED Quantity:	66pcs/132pcs
功率 System Power (W):	25W ±5% / 250Lux
光通亮 LED Flux (lm):	1900lm ±5% (76lm/W)
燈具效率 Lighting Factor:	75%
色溫 Color Temperature (K)	3000K ±7%; 6500K ±8%
顯色指數 Color Rendering Index:	>82
發光角度 Illumination Angle:	120°
壽命 Lifespan:	50000hrs
環境溫度 Ambient Temperature (°C):	-20°C ~ 50°C
重量 Weight (Kg):	<3.0/kg
認證 Certificate:	BSMI,CE,RoHS, FCC.

* If you have any question which is not in this specification , please contact us. (在本規格書裡如果您未能找到或參數指標未能達到你的應用要求, 即未在本規格書裡表現出來, 請與我們聯絡)

◆ Comparison of defferent size:



CT-F301221-11