

SINLOON®

水泥電阻器(SQP)系列
POWER RANGE: 2W~40W

SQP TYPE
CEMENT FIXED RESISTOR

□ FEATURE

- Exceptionally small and sturdy, mechanically safe, Excellent electrical characteristic
- Tolerance of $\pm 5\%$ and $\pm 10\%$ are standard.
- Non-inductive type are available on request.
- Heat and flame resistance
- The materials used and the construction techniques ensure excellent flame resistance, arc resistance and moisture resistance as well as self-extinguishing capabilities, They will withstand the most rigorous loading test.
- As resistors in radio and television receiver, The hazardous conditions of smoking and reheat can be completely prevented by the proper choice of power resistors.
- For high resistance value, The winding core will be replaced by metal oxide film core (RS Type)
- Applicable specifications: EIA RS-344 and EIA RC-649

FIGURE



□ ORDERING INFROMATION

Example: CM-SQP5WR500J (5W 0.5R $\pm 5\%$)

TYPE	POWER	Resistance (Ω)	Tolerance
CM-SQP	2W	0.1R = R100	H = $\pm 3\%$
CM-SQP	3W	1R00 = 1R00	J = $\pm 5\%$
CM-SQP	5W	10R0 = 10R0	K = $\pm 10\%$
CM-SQP	7W	100R = 101	
CM-SQP	10W	1K = 102	
CM-SQP	15W	10K = 103	
CM-SQP	20W	100K = 104	
CM-SQP	25W		
CM-SQP	30W		
CM-SQP	40W		

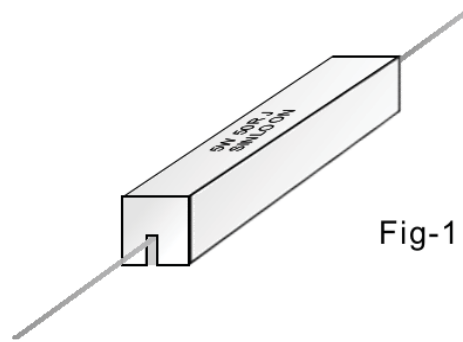


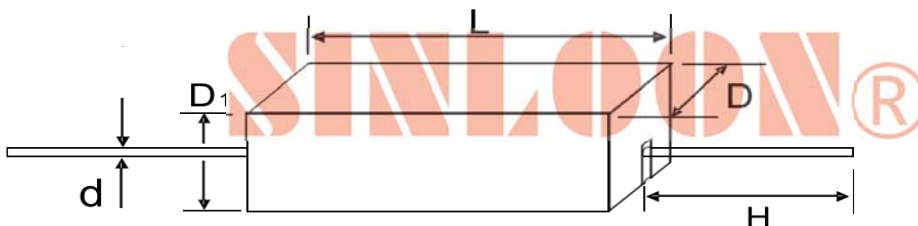
Fig-1

□ DIMENSION AND DATA RATING

TYPE	Dimension (mm)					Value Range (Ω)		Max working voltage	Figure	
	CM-SQP	L	H ± 3.0	D	D ₁	d ± 0.03	Wire Wound			Metal oxide
2W		18.0	32.0	7.0	7.0	0.65	0.1~50	50~20K	150V	Fig-1
3W		22.0	32.0	8.0	8.0	0.80	0.1~50	50~33K	300V	
5W		22.0	32.0	9.5	9.0	0.80	0.1~50	50~50K	350V	
7W		35.0	32.0	9.5	9.0	0.80	0.1~100	100~50K	500V	
10W		48.0	32.0	9.5	9.0	0.80	0.1~100	100~50K	500V	
15W		48.0	32.0	12.0	12.0	0.80	0.1~100	100~50K	500V	
20W		60.0	32.0	13.0	13.0	0.80	0.1~100	100~150K	500V	
25W		60.0	32.0	13.0	13.0	0.80	0.1~100	100~150K	1KV	
30W		77.0	32.0	18.0	17.0	0.80	0.1~500		1KV	
40W		90.0	32.0	19.0	18.0	0.80	0.1~500		1KV	

* Resistance Range for standard resistance, Below of over this resistance request.

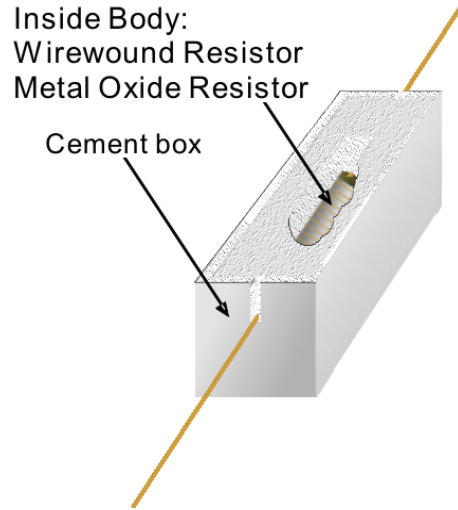
* Non-inductive type up 20 Ω only.



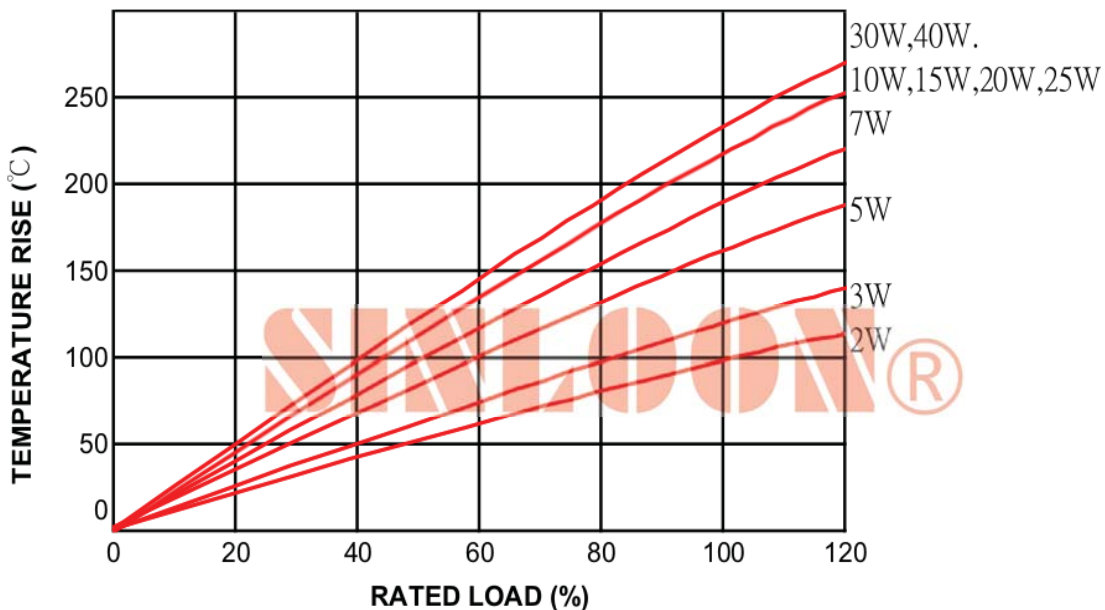
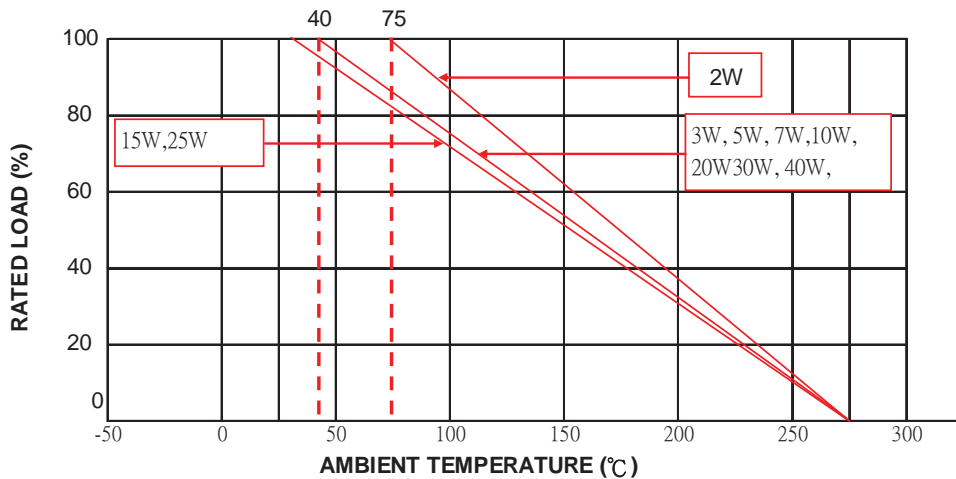
ENVIRONMENTAL CHARACTERISTICS :

PERFORMANCE TEST	APPRAISE
Short Time Overload	±2%+0.05Ω
Dielectric Withstanding Voltage	±2%+0.05Ω
Temperature Coefficient	MAX. 300ppm/°C
Insulation Resistance	≥ 100 MΩ
Solderability	95% min. coverage
Resistance to Solvent	no deterioration
Terminal Strength	≥ 2.5KG/24.5N
Pulse Overload	±2%+0.05Ω
Load Life in Humidity	±5%+0.05Ω
Load Life	±5%+0.05Ω
Temperature Cycling	±2%+0.05Ω
Soldering Heat	±2%+0.05Ω
Mositure resistance	±5%+0.05Ω
Shock and Vibration	±1%+0.05Ω
Effect of Soldering	±2%+0.05Ω

PRODUCT STRUCTURE



DERATING CURVE



SINLOON®

水泥電阻器(SQP)系列

POWER RANGE: 2W~40W

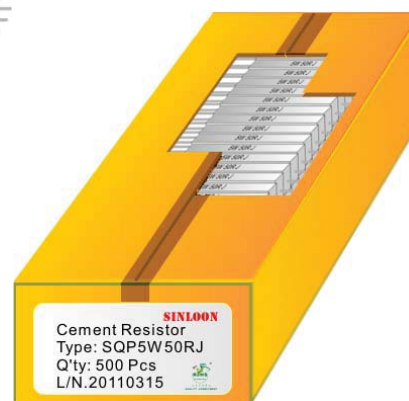
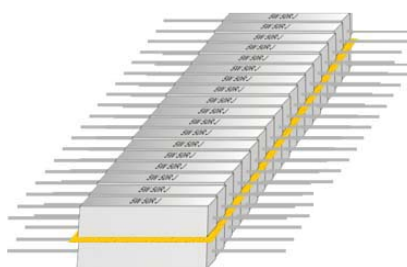
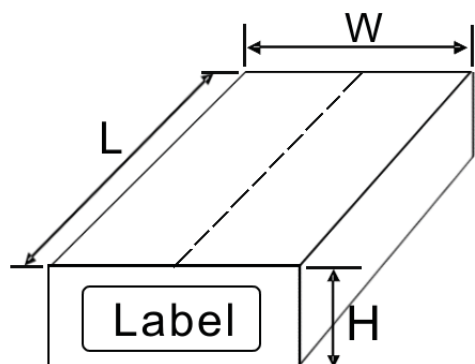
SQP TYPE

CEMENT FIXED RESISTOR

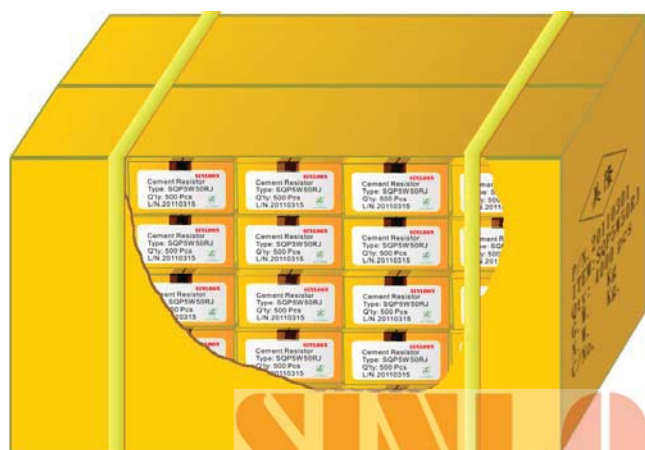
PACKING

TYPE CM-SQP	Inner Box Dimension (cm)			Quantity	Carton Dimension (cm)			Quantity	Wight Gross
	L	W	H		L	W	H		
2W	26	15	11	500	31	27.5	47	4000	
3W	26	15	11	500	31	27.5	47	4000	
5W	26	15	11	500	31	27.5	47	4000	
7W	26	15	11	500	31	27.5	47	2000	
10W	26	15	11	250	31	27.5	47	2000	
15W	26	15	11	200	31	27.5	47	1600	
20W	26	15	11	125	31	27.5	47	1000	
25W									
30W									
40W									

Inner Box Fig-1



Carton Fig-2



SINLOON®

※美隆公司產品規格及其特性參數的改變或更新恕不另行通知。

※Mayloon characteristic parameters of electronic product specification changes or updates without notice to improve。

