

水泥電阻器(SQT)系列

POWER RANGE: 5W~25W

SQT TYPE

CEMENT FIXED RESISTOR

□ FEATURE

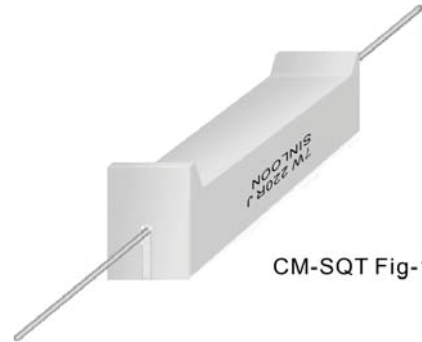
- Exceptionally small and sturdy, mechanically safe, Excellent electrical characteristic
- Tolerance of  $\pm 5\%$  and  $\pm 10\%$  are standard.
- Non-inductive type are available on request.
- Heat and flame resistance
- The materials used and the construction techniques ensure excellent flame resistance, arc resistance and moisture resistance as well as self-extinguishing capabilities, They will withstand the most rigorous loading test.
- As resistors in radio and television receiver, The hazardous conditions of smoking and reheat can be completely prevented by the proper choice of power resistors.
- For high resistance value, The winding core will be replaced by metal oxide film core (RS Type)
- Applicable specifications: EIA RS-344 and EIA RC-649

□ ORDERING INFROMATION

Example: CM-SQT7W10R0J ( 7W 10R  $\pm 5\%$ )

TYPE	POWER	Resistance ( $\Omega$ )	Tolerance
CM-SQT	5W	0.1R = R100	H = $\pm 3\%$
CM-SQT	7W	1R00 = 1R00	J = $\pm 5\%$
CM-SQT	10W	10R0 = 10R0	K = $\pm 10\%$
CM-SQT	15W	100R = 101	
CM-SQT	20W	1K = 102	
CM-SQT	25W	10K = 103	

FIGURE

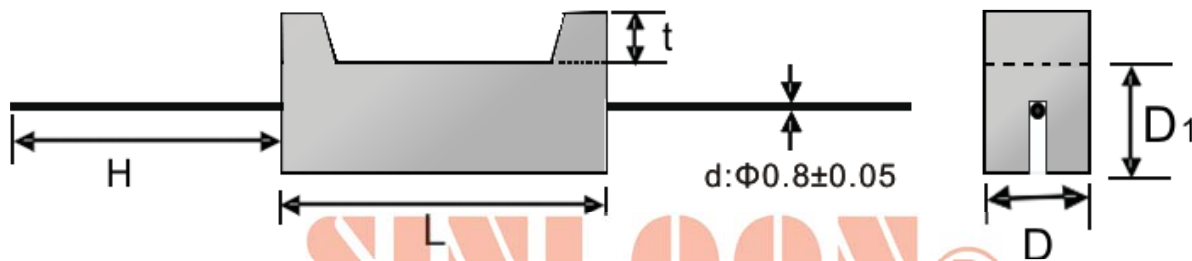


□ DIMENSION AND DATA RATING

TYPE	DIMENSION (mm)					Value Range ( $\Omega$ )		Max working voltage	Figure CM-SQT
	L	H $\pm 3.0$	D	D <sub>1</sub>	t	Wire Wound	Metal oxide		
5W	22.0	27.0	10.0	9.0	1.5	0.1~50	50~50K	350V	Fig-1
7W	35.0	27.0	10.0	9.0	3.0	0.1~100	50~47K	500V	
10W	48.0	27.0	10.0	9.0	3.0	0.1~100	50~47K	750V	
15W	48.0	27.0	12.5	12.5	3.0	0.1~100	50~47K	750V	
20W	60.0	27.0	13.0	14.0	5.0	0.1~100	50~47K	750V	
25W	60.0	27.0	13.0	14.0	5.0	0.1~100	50~47K	750V	

\* Resistance Range for standard resistance, Below of over this resistance request.

\* Non-inductive type up 50 $\Omega$  only.



水泥電阻器(SQT)系列

POWER RANGE: 5W~25W

SQT TYPE

CEMENT FIXED RESISTOR

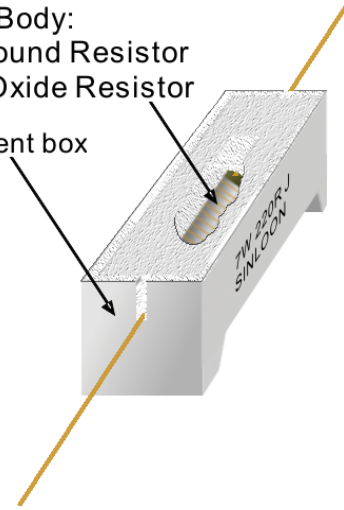
ENVIRONMENTAL CHARACTERISTICS :

PERFORMANCE TEST	APPRAISE
Short Time Overload	±2%+0.05Ω
Dielectric Withstanding Voltage	±2%+0.05Ω
Temperature Coefficient	MAX. 300ppm/°C
Insulation Resistance	≥ 100 MΩ
Solderability	95% min. coverage
Resistance to Solvent	no deterioration
Terminal Strength	≥ 2.5KG/24.5N
Pulse Overload	±2%+0.05Ω
Load Life in Humidity	±5%+0.05Ω
Load Life	±5%+0.05Ω
Temperature Cycling	±2%+0.05Ω
Soldering Heat	±2%+0.05Ω
Mositure resistance	±5%+0.05Ω
Shock and Vibration	±1%+0.05Ω
Effect of Soldering	±2%+0.05Ω

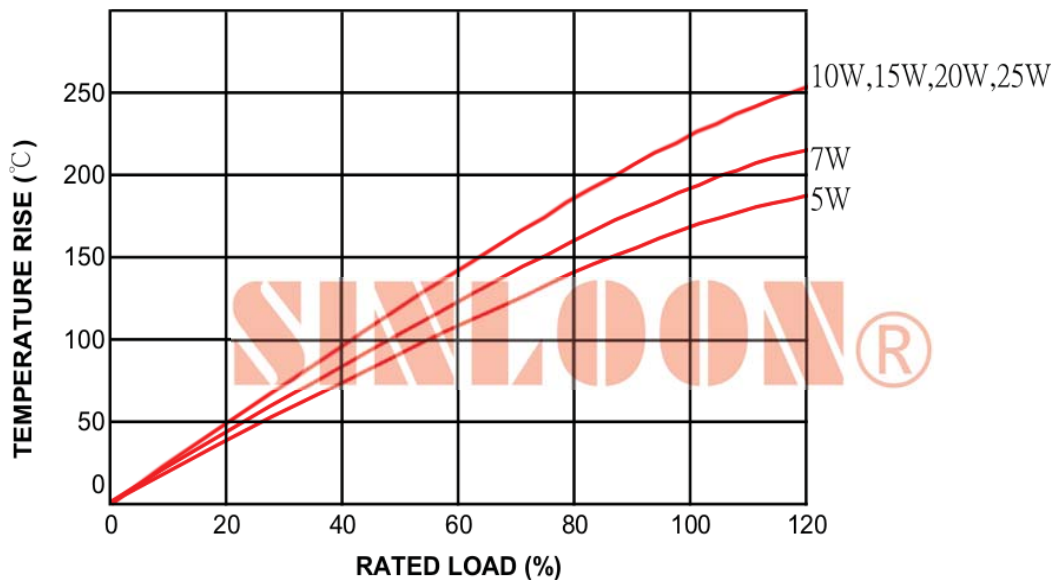
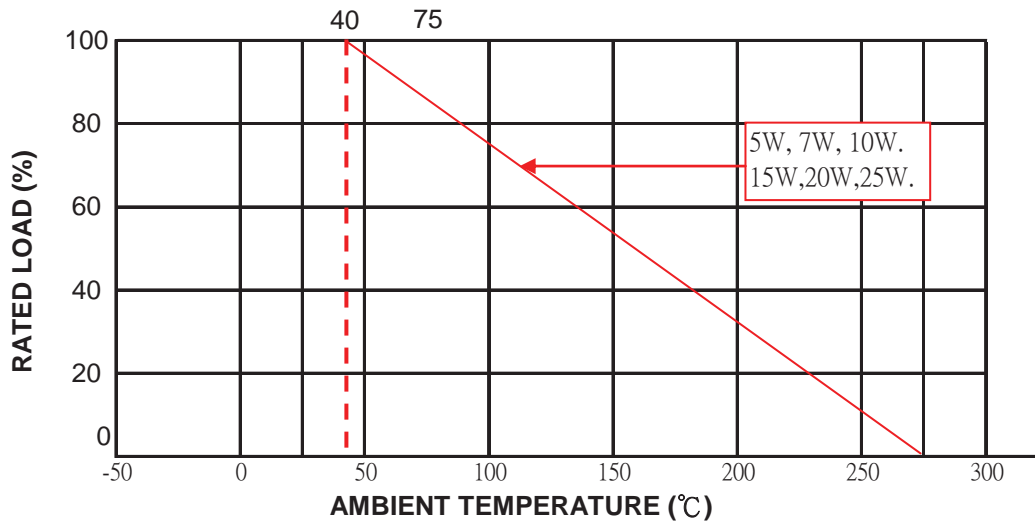
PRODUCT STRUCTURE

Inside Body:  
Wirewound Resistor  
Metal Oxide Resistor

Cement box



DERATING CURVE



水泥電阻器(SQT)系列

SQT TYPE

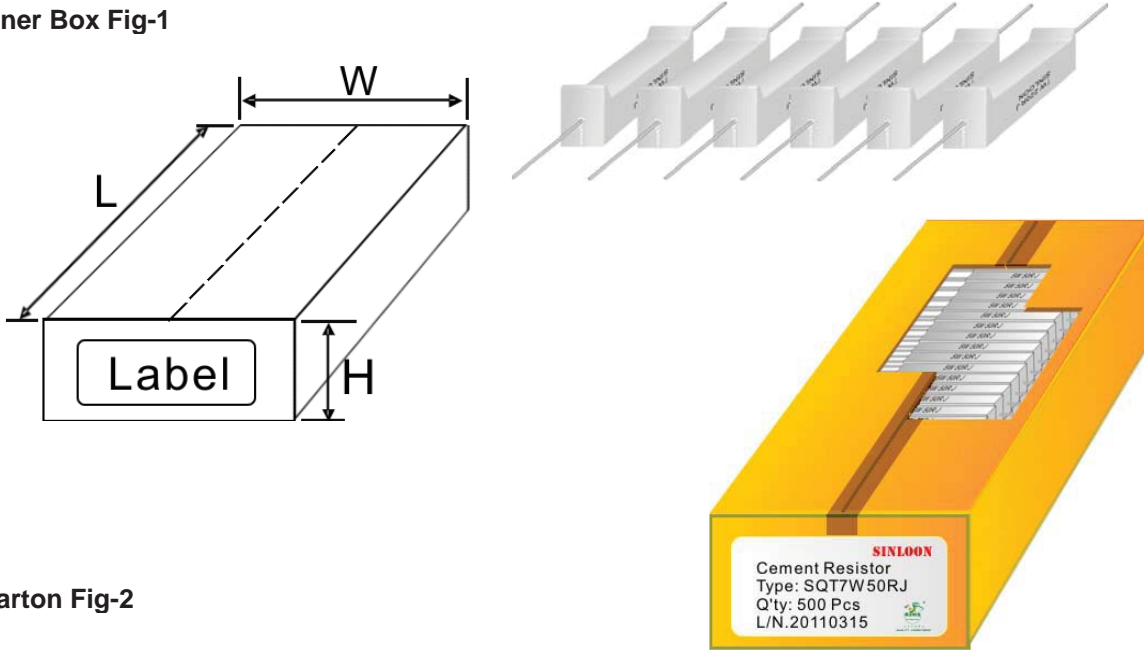
POWER RANGE: 5W~25W

CEMENT FIXED RESISTOR

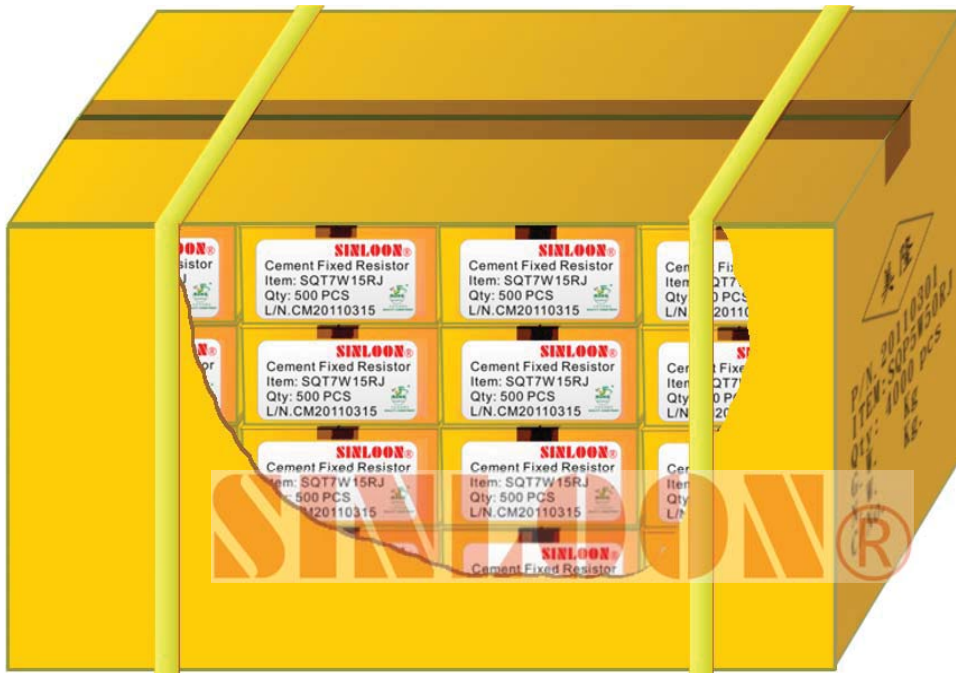
PACKING

TYPE CM-SQT	INNER BOX DIMENSION (cm)			QUANTITY	CARTON DIMENSION (cm)			QUANTITY	WIGHT GROSS
	L	W	H		L	W	H		
5W	26	15	11	500	31	27.5	47	4000	
7W	26	15	11	500	31	27.5	47	4000	
10W	26	15	11	500	31	27.5	47	4000	
15W	26	15	11	500	31	27.5	47	2000	
20W	26	15	11	250	31	27.5	47	2000	
25W	26	15	11	200	31	27.5	47	1600	

Inner Box Fig-1



Carton Fig-2



※美隆電子產品規格特性參數的改變或更新,將不會另行通知。

※Mayloon characteristic parameters of electronic product specification changes or updates without prior notice .

