



水泥電阻器(SQV)系列
POWER RANGE: 5W~40W

CM-SQV TYPE
CEMENT FIXED RESISTOR

FEATURE

- Exceptionally small and sturdy, mechanically safe, Excellent electrical characteristic
- Tolerance of $\pm 5\%$ and $\pm 10\%$ are standard.
- Non-inductive type are available on request.
- Heat and flame resistance
- The materials used and the construction techniques ensure excellent flame resistance, arc resistance and moisture resistance as well as self-extinguishing capabilities, They will withstand the most rigorous loading test.
- As resistors in radio and television receiver, The hazardous conditions of smoking and reheat can be completely prevented by the proper choice of power resistors.
- For high resistance value, The winding core will be replaced by metal oxide film core (RS Type)
- Applicable specifications: EIA RS-344 and EIA RC-649

FIGURE



ORDERING INFORMATION

Example: CM-SQV5W22R0J (5W 22R $\pm 5\%$)

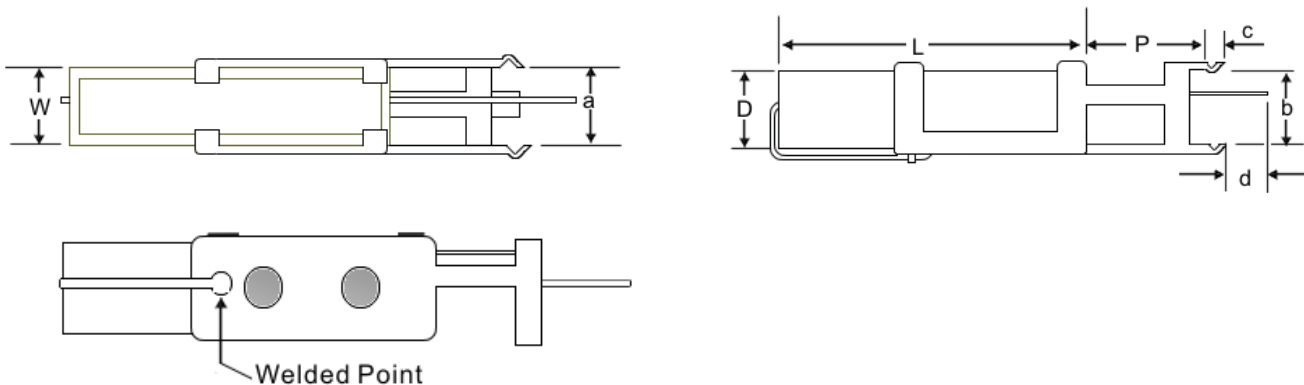
Power	Type	Resistance (Ω)	Tolerance
5W	CM-SQV5W	0.1R = R100	H = $\pm 3\%$
7W	CM-SQV7W	1R00 = 1R00	J = $\pm 5\%$
10W	CM-SQV10W	10R0 = 10R0	K = $\pm 10\%$
20W	CM-SQV20W	100R = 101	
30W	CM-SQV30W	1K = 102	
40W	CM-SQV40W	10K = 103	

應用特性

1. 體積小功率大,耐震及耐潮,散熱快.
2. 陶瓷外殼絕緣應用方便.
3. 採用繞線及氧化膜瓷棒阻值範圍廣.
4. 耐高溫,電阻溫度系數小,呈直線變化.
5. 耐短時間超負荷,低雜音,應用性強.

DIMENSION

Power	Type	Dimension (mm)							
		W	D	L	P	a	b	c	d
5W	CM-SQV5W	10 \pm 1	9 \pm 1	22 \pm 1	5 \pm 1	11.5 \pm 0.5	11.5 \pm 1.0	4 \pm 0.5	5 \pm 3.0
7W	CM-SQV7W	10 \pm 1	9 \pm 1	35 \pm 1	8 \pm 1	11.5 \pm 0.5	11.5 \pm 1.0	4 \pm 0.5	5 \pm 3.0
10W	CM-SQV10W	10 \pm 1	9 \pm 1	48 \pm 1	8 \pm 1	11.5 \pm 0.5	11.5 \pm 1.0	4 \pm 0.5	5 \pm 3.0
20W	CM-SQV20W	15 \pm 1	14 \pm 1	60 \pm 1	10 \pm 1	16.5 \pm 2.0	12.5 \pm 1.0	5 \pm 0.5	5 \pm 3.0
30W	CM-SQV30W	15 \pm 1	14 \pm 1	60 \pm 1	10 \pm 1	16.5 \pm 2.0	12.5 \pm 1.0	5 \pm 0.5	5 \pm 3.0
40W	CM-SQV40W	15 \pm 1	14 \pm 1	60 \pm 1	10 \pm 1	16.5 \pm 2.0	12.5 \pm 1.0	5 \pm 0.5	5 \pm 3.0



- * Resistance Range for standard resistance, Below of over this resistance request.
- * Non-inductive type up 50 Ω only.



DATA RATING

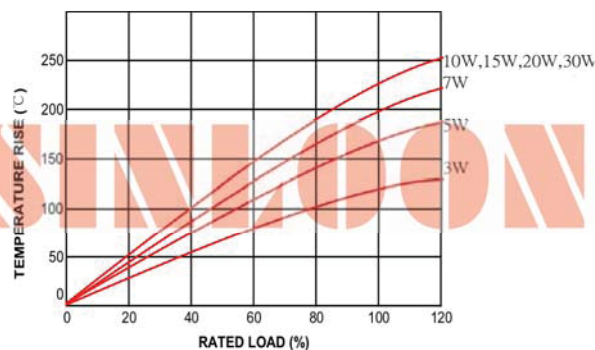
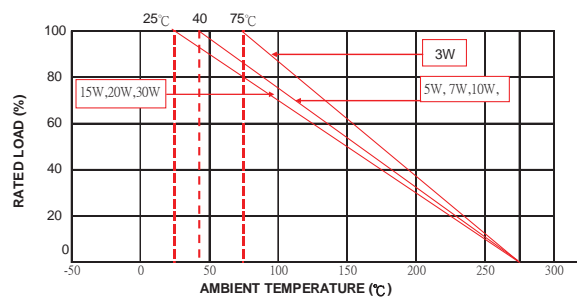
Power	Type	Value Range (Ω)		Max working Voltage
		Wire Wound	Metal oxide	
5W	CM-SQV5W	0.1~50	50~3.6K	350V
7W	CM-SQV7W	0.1~50	50~4.7K	500V
10W	CM-SQV10W	0.1~100	50~6.8K	500V
20W	CM-SQV20W	0.1~100	100~10K	500V
30W	CM-SQV30W	0.1~100	100~10K	500V
40W	CM-SQV40W	0.1~100	100~10K	500V

ENVIRONMENTAL CHARACTERISTICS

PERFORMANCE TEST	APPRAISE
Short Time Overload	±2%+0.05Ω
Dielectric Withstanding Voltage	±2%+0.05Ω
Temperature Coefficient	MAX. 300ppm/oC
Insulation Resistance	≥ 100 MΩ
Solderability	95% min. coverage
Resistance to Solvent	no deterioration
Terminal Strength	2.5KG/24.5N
Pulse Overload	±2%+0.05Ω
Load Life in Humidity	±5%+0.05Ω
Load Life	±5%+0.05Ω
Temperature Cycling	±2%+0.05Ω
Soldering Heat	±2%+0.05Ω
Mositure resistance	±5%+0.05Ω
Shock and Vibration	±1%+0.05Ω
Effect of Soldering	±2%+0.05Ω



DERATING CURVE



SINLOON®

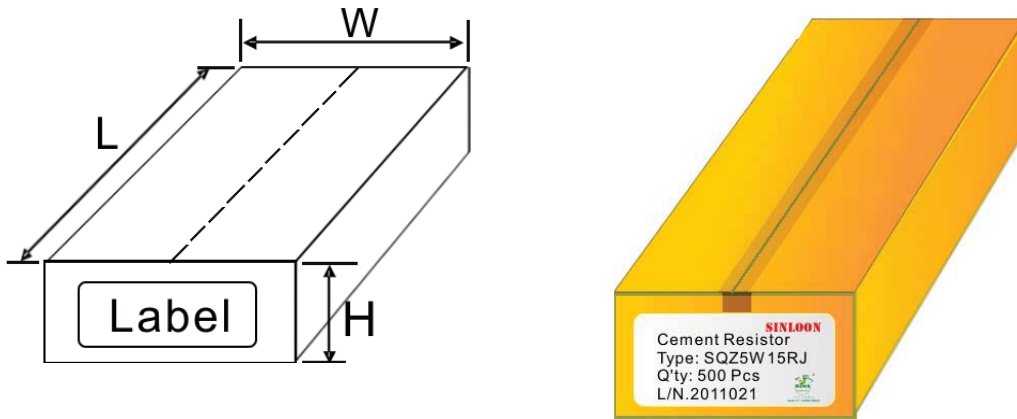
水泥電阻器(SQV)系列
POWER RANGE: 5W~40W

CM-SQV TYPE
CEMENT FIXED RESISTOR

☐ PACKING

Type	Inner Box Dimension (cm)			Quantity	Carton Dimension (cm)			Quantity
	L	W	H		L	W	H	
CM-SQV5W	26	15	11	100	31	27.5	47	1000
CM-SQV7W	26	15	11	100	31	27.5	47	1000
CM-SQV10W	26	15	11	100	31	27.5	47	1000
CM-SQV20W	26	15	11	20	31	27.5	47	200
CM-SQV30W	26	15	11	20	31	27.5	47	200
CM-SQV40W	26	15	11	20	31	27.5	47	200

Inner Box Fig-1



Carton Fig-2



※美隆電子產品規格特性參數的改變或更新,將不會另行通知。

※Mayloon characteristic parameters of electronic product specification changes or updates without prior notice。

