

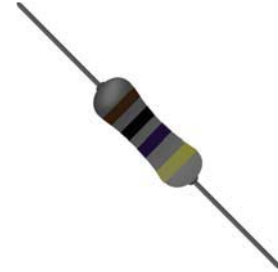
Flame-Proof Type Metal Film Low Ohm Resistor - FML Series

ORDERING PROCEDURE:

Example: FML50ER33JTB

Power:	Type:	T.C.R./°C	Resistance	Tol.	Package
1/4W	FML25	E=±100ppm	R100=0.1Ω	J = ±5%	TB = T/Box.
1/2W	FML50	D=±50ppm	R22=0.22Ω	F = ±1%	B = Bulk
1W	FML100	C=±25ppm	R33=0.33Ω		
2W	FML200		R51=0.51Ω		
1/2WS	FML50S		R99=0.99Ω		
1WS	FML100S				
2WS	FML200S				

Figure



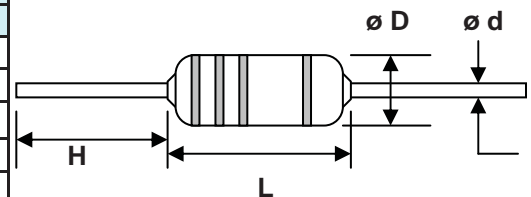
Resistor body color : Gray

PRODUCT FEATURE:

- Low Noise
- Low T.C.R. 100ppm, 50ppm.
- Tolerance : ±1%, ±5%.
- Power : Standard Type: 1/4W ~ 2W
Miniature Type: 1/2WS ~ 2WS.
- Resistance: 0.1R ~ 0.99R

DIMENSION (mm)

Power:	STYLE	Dimension (mm)			
		L	D	H	d
1/4W	FML25	6.3±0.5	2.3±0.3	29±2.0	0.55±0.03
1/2W	FML50	9.0±0.5	3.2±0.5	26±2.0	0.65±0.03
1W	FML100	11.5±1.0	4.5±0.5	35±2.0	0.78±0.03
2W	FML200	11.5±1.0	4.5±0.5	35±2.0	0.78±0.03
1/2WS	FML50S	6.3±0.5	2.3±0.3	29±2.0	0.55±0.03
1WS	FML100S	9.0±0.5	3.2±0.5	26±2.0	0.65±0.03
2WS	FML200S	11.5±1.0	4.5±0.5	35±2.0	0.78±0.03



ELECTRICAL CHARACTERISTICS

Style	FML25	FML50	FML50S	FML100	FML100S	FML200	FML200S
Power Rating 70°C	1/4W	1/2W	1/2WS	1W	1WS	2W	2WS
Operating Temp. Range	-55°C ~ +155°C						
Max. Working Voltage	250V	350V	350V	500V	400V	500V	500V
Max. Overload Voltage	500V	700V	600V	1000V	800V	1000V	1000V
Dielectric Withstanding Voltage.	400V	500V	400V	750V	600V	750V	750V
Value Range ±1%, ±5%	0.1Ω ~0.99Ω						
Temp. Coefficient (by Type)	±50ppm, ±100ppm.						

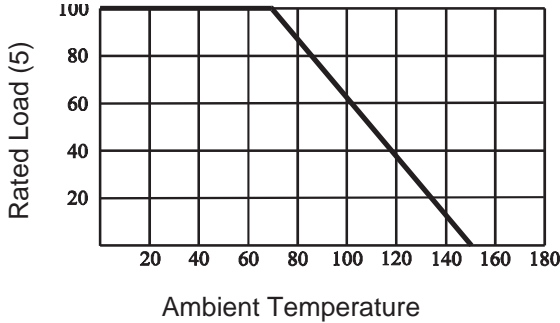
* Standard resistor is 10Ω ~ 1MΩ, below or over this resistance on request.

* Mayloon characteristic parameters of electronic product specification changes or updates without prior notice.

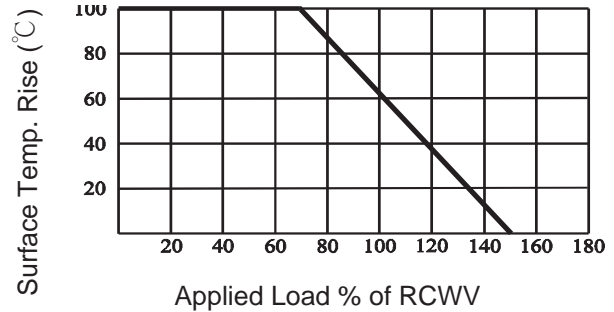


Flame-Proof Type Metal Film Low Ohm Resistor - FML Series

POWER GRAPH



HOT-SPOT TEMPERATURE



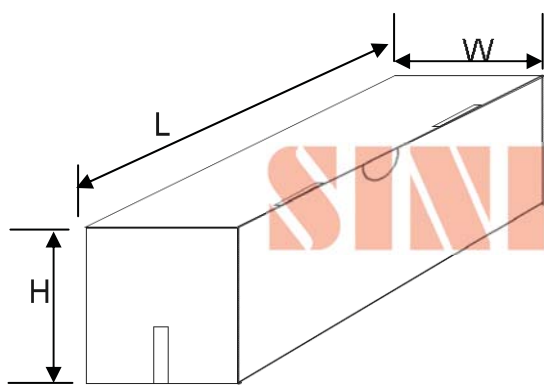
ENVIRONMENTAL CHARACTERISTICS

PERFORMANCE TEST	TEST METHOD	APPRAISE
SHORT TIME OVERLOAD	JIS-5202 5.5 2.5 times RCWV for 5 seconds.	±(0.25%+0.05Ω)
TEMPERATURE COEFFICIENT (T.C.R.)	Resistance value at room temperature and room temperature +100°C	By Type
DIELECTRIC WITHSTANDING VOLTAGE	JIS-C5202 5.7 in V-Block for 60 seconds.	By Type
PULSE OVERLOAD	JIS-C5202 5.8 4 times RCWV for 10000 cycles (1sec.on, 25secs.off)	±(0.75%+0.05Ω)
INSULATION RESISTANCE	JIS-C5202 5.6 In V-Block	>10000MΩ
Resistance: 0.1R ~ 0.99R	JIS-C-5202 7.10 70°C at RCWV for 1000hrs. (1.5hrs.on, 0.5hrs.off)	±(1.5%+0.05Ω)
LOAD LIFE IN HUMIDITY	JIS-C5202 7.9 40±2°C 90~95%RH at RCWV for 1000hrs.(1.5hrs.on,0.5hrs.off)	±(1.5%+0.05Ω)
SOLDER ABILITY	JIS-C5202 6.5 260±5°C for 2±0.5 seconds.	95% min. coverage
RESISTANCE TO SOLVENT	JIS-C5202 6.9 Trichroethane for 1 min. with ultrasonic.	No deterioration of coatings and makrings.
TERMINAL STRENGTH	Direct load for 10 sec. In the direction off the terminal leads.	Tensile: ≥ 2.5kg

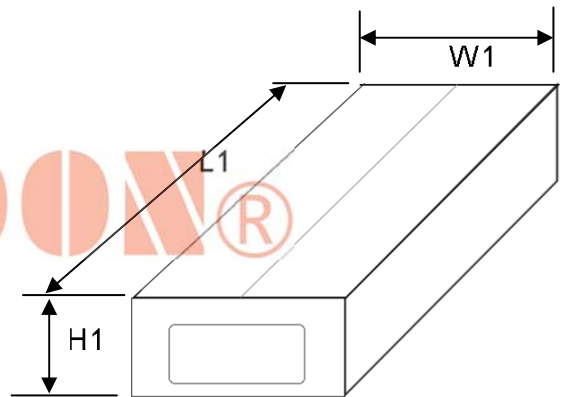
Rated continuous Working Voltage (RCWV) = $\sqrt{\text{POWER RATING} \cdot \text{RESISTANCE VALUE}}$

PACKING

AXIAL LEAD RESISTOR PACKING SPECIFICATION									
POWER	STYLE		QUANTITY		BOX		CARTON DIMENSION		
	Normal		Type Boxl	Bulk Bag	InBox	Bulk Box	L	W	H
1/4W	FML25		5000	1000	10 x 5K	10 x 10K			
1/2WS	FML50		5000	1000	10 x 5K	10 x 10K			
1/2W	FML100		5000	1000	10 x 5K	10 x 10K			
1WS	FML200		5000	1000	10 x 5K	10 x 10K			
1W	FML50S		2500	500	10 x 2.5K	10 x 5K			
2WS	FML100S		2500	500	10 x 2.5K	10 x 5K			
2W	FML200S		2000	200	10 x 2K	10 x 2K			



Type Box



Bulk Box

