

Flame-Proof Type Metal Film Resistor - FMF Series

ORDERING PROCEDURE:

Example: FMF-050-E-3300-J-TB

Power:	Type:	T.C.R./°C	Resistance	Tol.	Package
1/4W	FMF25	E=±100ppm	0001=0.1Ω	J = ±5%	TB = T/Box.
1/2W	FMF50	D=±50ppm	0010=1Ω	F = ±1%	B = Bulk
1W	FMF100	C=±25ppm	0200=20Ω	D = ±0.5%	
2W	FMF200		3300=33Ω	C = ±0.25%	
1/2WS	FMF50S		4701=470Ω	B = ±0.1%	
1WS	FMF100S				
2WS	FMF200S				

Figure



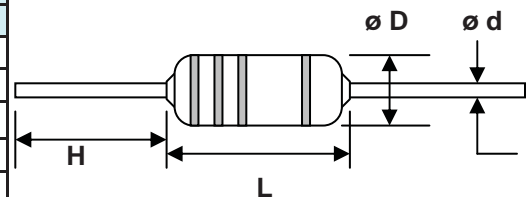
Resistor body color : Bule

PRODUCT FEATURE:

- Low Noise
- Low T.C.R. 100ppm, 50ppm.
- Tolerance : ±1%, ±5%.
- Power : Standard Type: 1/4W ~ 2W
Miniature Type: 1/2WS ~ 2WS.

DIMENSION (mm)

Power:	STYLE	Dimension (mm)			
		L	D	H	d
1/4W	FMF25	6.3±0.5	2.3±0.3	29±2.0	0.55±0.03
1/2W	FMF50	9.0±0.5	3.2±0.5	26±2.0	0.65±0.03
1W	FMF100	11.5±1.0	4.5±0.5	35±2.0	0.78±0.03
2W	FMF200	11.5±1.0	4.5±0.5	35±2.0	0.78±0.03
1/2WS	FMF25S	6.3±0.5	2.3±0.3	29±2.0	0.55±0.03
1WS	FMF50S	9.0±0.5	3.2±0.5	26±2.0	0.65±0.03
2WS	FMF100S	11.5±1.0	4.5±0.5	35±2.0	0.78±0.03

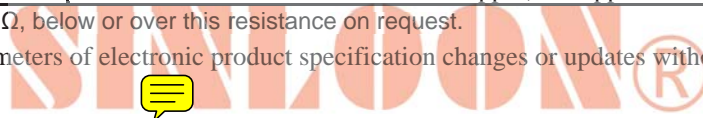


ELECTRICAL CHARACTERISTICS

Style	FMF25	FMF50	FMF50S	FMF100	FMF100S	FMF200	FMF200S
Power Rating 70°C	1/4W	1/2W	1/2WS	1W	1WS	2W	2WS
Operating Temp. Range	-55°C ~ +155°C						
Max. Working Voltage	250V	350V	350V	500V	400V	500V	500V
Max. Overload Voltage	500V	700V	600V	1000V	800V	1000V	1000V
Dielectric Withstanding Voltage.	400V	500V	400V	750V	600V	750V	750V
Value Range ±1%, ±5%	10Ω ~ 1MΩ						
Temp. Coefficient (by Type)	±50ppm, ±100ppm.						

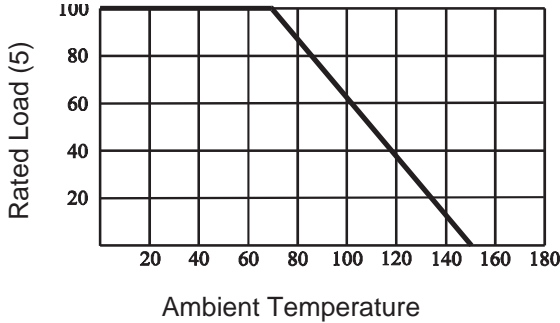
* Standard resistor is 10Ω ~ 1MΩ, below or over this resistance on request.

* Mayloon characteristic parameters of electronic product specification changes or updates without prior notice .

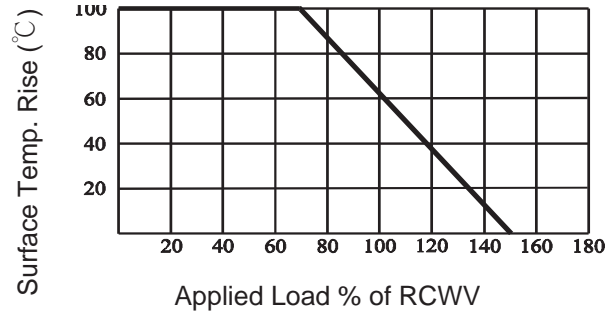


Flame-Proof Type Metal Film Resistor - FMF Series

POWER GRAPH



HOT-SPOT TEMPERATURE



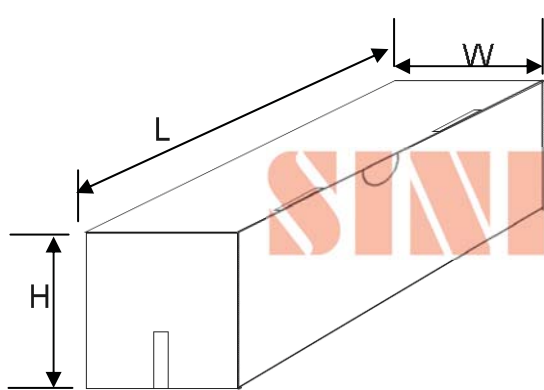
ENVIRONMENTAL CHARACTERISTICS

PERFORMANCE TEST	TEST METHOD	APPRAISE
SHORT TIME OVERLOAD	JIS-5202 5.5 2.5 times RCWV for 5 seconds.	±(0.25%+0.05Ω)
TEMPERATURE COEFFICIENT (T.C.R.)	Resistance value at room temperature and room temperature +100°C	By Type
DIELECTRIC WITHSTANDING VOLTAGE	JIS-C5202 5.7 in V-Block for 60 seconds.	By Type
PULSE OVERLOAD	JIS-C5202 5.8 4 times RCWV for 10000 cycles (1sec.on, 25secs.off)	±(0.75%+0.05Ω)
INSULATION RESISTANCE	JIS-C5202 5.6 In V-Block	>10000MΩ
LOAD LIFE	JIS-C-5202 7.10 70°C at RCWV for 1000hrs. (1.5hrs.on, 0.5hrs.off)	±(1.5%+0.05Ω)
LOAD LIFE IN HUMIDITY	JIS-C5202 7.9 40±2°C 90~95%RH at RCWV for 1000hrs.(1.5hrs.on,0.5hrs.off)	±(1.5%+0.05Ω)
SOLDER ABILITY	JIS-C5202 6.5 260±5°C for 2±0.5 seconds.	95% min. coverage
RESISTANCE TO SOLVENT	JIS-C5202 6.9 Trichroethane for 1 min. with ultrasonic.	No deterioration of coatings and makrings.
TERMINAL STRENGTH	Direct load for 10 sec. In the direction off the terminal leads.	Tensile: ≥ 2.5kg

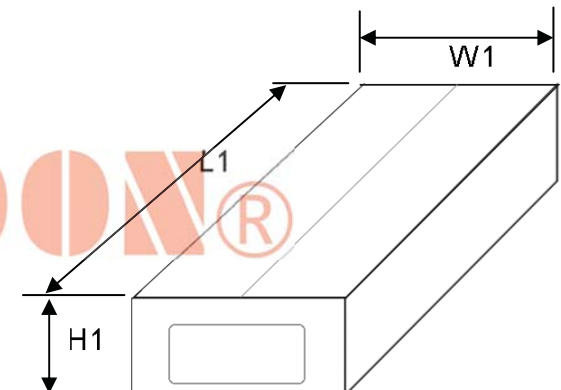
■ Rated continuous Working Voltage (RCWV) = $\sqrt{POWER \ .RATING \ . * RESISTANCE \ .VALUE}$

PACKING

AXIAL LEAD RESISTOR PACKING SPECIFICATION									
POWER	STYLE		QUANTITY		BOX		CARTON DIMENSION		
	Normal		Type Boxl	Bulk Bag	InBox	Bulk Box	L	W	H
1/4W	FMF025		5000	1000	10 x 5K	10 x 10K			
1/2WS	FMF050S		5000	1000	10 x 5K	10 x 10K			
1/2W	FMF050		5000	1000	10 x 5K	10 x 10K			
1WS	FMF100S		5000	1000	10 x 5K	10 x 10K			
1W	FMF100		2500	500	10 x 2.5K	10 x 5K			
2WS	FMF200S		2500	500	10 x 2.5K	10 x 5K			
2W	FMF200		2000	200	10 x 2K	10 x 2K			



Type Box



Bulk Box

