



繞線發熱電阻

HWW - Series

Heat Wire Wound Resistor (0.5W ~ 10W)

FEATURE

- ◆ FLAME-PROOF COATING TYPE
- ◆ KNP (STANDARD TYPE)
- ◆ NKN (NON-INDUCTIVE TYPE)
- ◆ HWW (HEAT WIRE WOUND RESISTOR)

Figure :



INTRODUCTION

- (1) The resistor is fabricated using a suitable fiberglass or ceramic core with the resistance wire securely crimped to the terminals.
- (2) Small in size comparatively than other kind resistor.
- (3) Electrical and mechanical stability and high reliability.
- (4) Tolerances of 5% , 10% are standard.

ORDERING

Example: HWW100A101JB (1W 100R ±5%)

Power	Type	Forming	Resistance	Tolerance	Package
1/2W	HWW050	A=Axial	R100 =0.1Ω	F = ±1%	T = T/Box
1WS	HWW100S	O=Others	1R0 =1Ω	G = ±2%	B = Bulk
1W	HWW100		100 =10Ω	J = ±5%	R = Reel
2WS	HWW200S		101 =100Ω	K = ±10%	
2W	HWW200		102 =1KΩ		
3WS	HWW300S		103 =10KΩ		
3W	HWW300		104 =100KΩ		
4W	HWW400		105 =1MΩ		
5WS	HWW500S				
5W	HWW500				
7W	HWW700				
10W	HWW10W				

HWW* : Special procreation for Heat Wire Wound

GENERAL SPECIFICATION

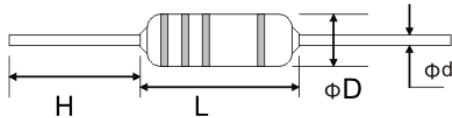
Power	Type	Resistance Range		Package
		Standard	Maximum	
1/2W	HWW050	0.1 ~ 80Ω	330Ω	Bulk
1WS	HWW100S	0.1 ~ 80Ω	330Ω	Bulk
1W	HWW100	0.1 ~ 100Ω	1.5KΩ	Bulk
2WS	HWW200S	0.1 ~ 100Ω	1.5KΩ	Bulk
2W	HWW200	0.1 ~ 100Ω	2.2KΩ	Bulk
3WS	HWW300S	0.1 ~ 100Ω	2.2KΩ	Bulk
3W	HWW300	0.1 ~ 150Ω	3.3KΩ	Bulk
4W	HWW400	0.1 ~ 150Ω	3.3KΩ	Bulk
5WS	HWW500S	0.1 ~ 150Ω	3.3KΩ	Bulk
5W	HWW500	0.1 ~ 150Ω	4.3KΩ	Bulk
7W	HWW700	1 ~ 470Ω	3.3KΩ	Bulk
10W	HWW10W	2 ~ 1KΩ	4.7KΩ	Bulk

Rated continuous Working Voltage (RCWV) = $\sqrt{\text{POWER.RATING.} * \text{RESISTANCE.VALUE}}$



◆ EXTERNAL DIMENSIONS

Power	Type	Dimensions (mm)				Power
		L	ΦD	Φd	H	
1/2W	HWW050	9.0±1.0	2.5±0.5	0.6±0.02	28±3.0	1/2W
1WS	HWW100S	9.0±1.0	2.5±0.5	0.6±0.02	28±3.0	1WS
1W	HWW100	11.0±1.0	2.5±0.5	0.8±0.02	35±3.0	1W
2WS	HWW200S	11.0±1.0	2.5±0.5	0.8±0.02	35±3.0	2WS
2W	HWW200	15.0±1.0	3.5±0.1	0.8±0.02	35±3.0	2W
3WS	HWW300S	15.0±1.0	3.5±0.1	0.8±0.02	35±3.0	3WS
3W	HWW300	17.0±1.0	4.5±1.0	0.8±0.02	38±3.0	3W
4W	HWW400	17.0±1.0	4.5±1.0	0.8±0.02	38±3.0	4W
5WS	HWW500S	17.0±1.0	4.5±1.0	0.8±0.02	38±3.0	5WS
5W	HWW500	25.0±1.0	5.0±1.0	0.8±0.02	38±3.0	5W
7W	HWW700	30.0±1.0	8.0±1.0	0.8±0.02	38±3.0	7W
10W	HWW10W	42.0±1.0	8.0±1.0	0.8±0.02	38±3.0	10W



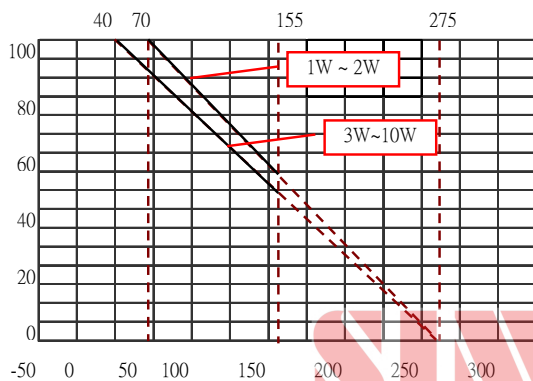
□ PERFORMANCE

CHARACTERISTIC	0.5W~5W	7W~10W
Temperature coefficient	±300ppm	±250ppm
Insulation resistance	10,000M Ω Min.	
Load Life (1000 hours)	<±5% +0.05Ω	
Showtime overload	<±2% +0.05Ω	
Temperature Cycling	<±1% +0.05Ω	
Moisture Resistance\	<±5% +0.05Ω	
Shock & Vibration	<±1% +0.05Ω	
Effect of Soldering	<±2% +0.05Ω	
Working temperature range	-55 ~ +155°C	

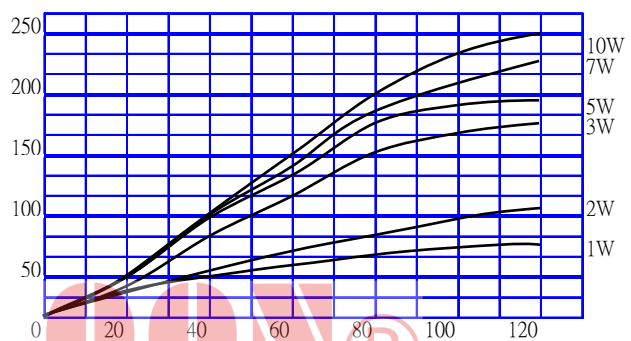
MATERIAL

- ◆ Core: High purity ceramic Al₂O₃.
- ◆ Element: Alloy Resistance Wire
- ◆ Termination: Standard solder-plated cooper lead
- ◆ KNP Coating: Gray silicone.
- ◆ HWW Wire wound (Semi-finished goods)

□ DATING CURVE



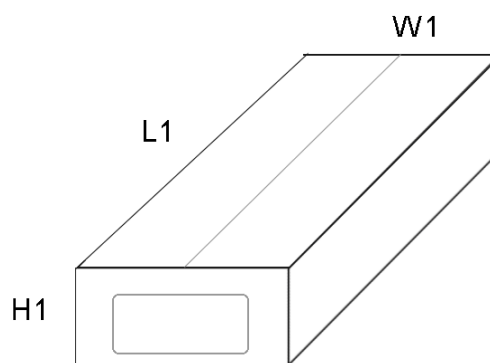
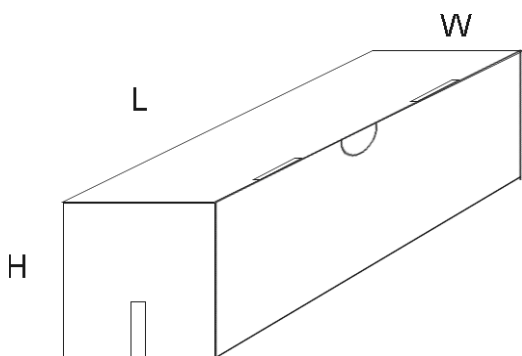
□ TEMPERATURE RISE



PACKAGE:

Power	Type		Quantity		Box		Carton
			Type Box	Bulk Bag	In Box	Bulk Box	Package
1/2W	KNP050	HWW050		200		2000	
1WS	KNP100S	HWW100S		200		2000	
1W	KNP100	HWW100		100		1000	
2WS	KNP200S	HWW200S		100		1000	
2W	KNP200	HWW200		50		500	
3WS	KNP300S	HWW300S		50		500	
3W	KNP300	HWW300		50		500	
4W	KNP400	HWW400		25		250	
5WS	KNP500S	HWW500S		25		250	
5W	KNP500	HWW500		25		250	
7W	KNP700	HWW700		25		250	
10W	KNP10W	HWW10W		25		250	

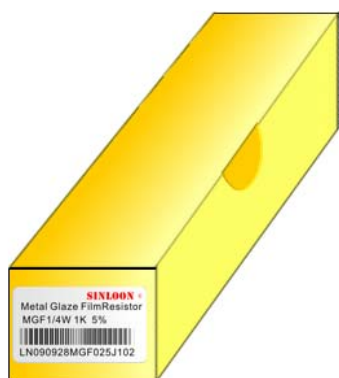
Remark: HWW - Type all bulk plastic bag pack.



Inner Type Box.

Inner Bulk Box.

Carton Packing



※美隆公司產品規格及其特性參數的改變或更新恕不另行通知。

※Mayloon characteristic parameters of electronic product specification changes or updates without notice to improve。