

SINLOON®

肖特基二極管

Case: TO-263

SB16150DC - SB16200DC
16A High Voltage SMD Dual Schottky Barrier Rectifier

Feature

- ◆ Schottky Barrier Chip
- ◆ Guard Ring Die Construction For Transient Protection
- ◆ Low Forward Voltage Drop
- ◆ Low Power Loss, High Efficiency
- ◆ High Surge Current Capability
- ◆ For Use in Low Voltage, High Frequency Inverters, Free Wheeling and Polarity Protection Applications.

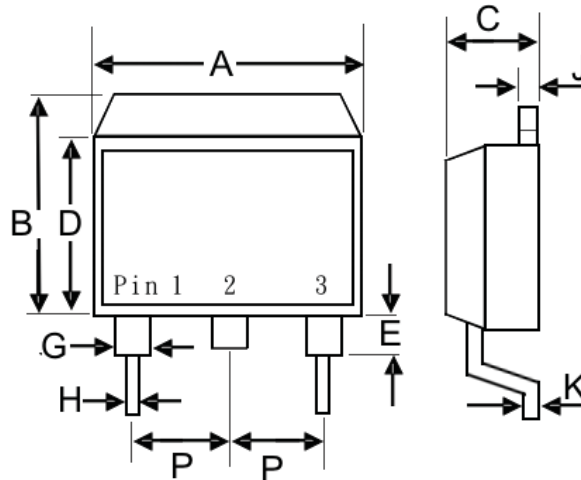
Mechanical Data

- ◆ Case: D²PAK/TO-263, Molded Plastic
- ◆ Terminals: Plated Leads Solderable per MIL-STD-202, Method 208
- ◆ Polarity: See Diagram
- ◆ Weight: 1.7 grams (approx)
- ◆ Mounting Position: Any
- ◆ Marking: Type Number
- ◆ Lead Free: For RoHS / Lead Free Version Add "-LF" Suffix to part Number.

Dimension

Case: D²PAK/TO-263 (mm)

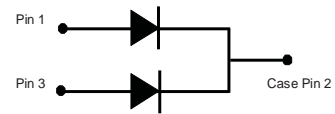
Dim.	Min.	Max.
A	9.8	10.4
B	9.6	10.6
C	4.4	4.8
D	8.5	9.1
E	2.8	---
G	1.0	1.4
H	---	0.9
J	1.2	1.4
K	0.3	0.7
P	2.35	2.75



Figure

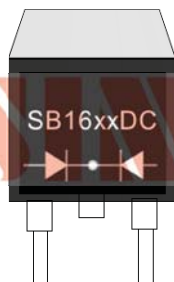


Electrical Symbol

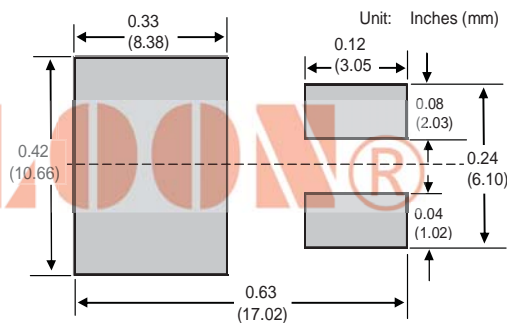


Marking Information

- SB16xxDC = Device Number
- xx = See Page 2 SB Part 150, 200.
- Polarity = As Marked Body



Recommended Footprint



SINLOON®

肖特基二極管

SB16150DC - SB16200DC

Case: TO-263 16A High Voltage SMD Dual Schottky Barrier Rectifier

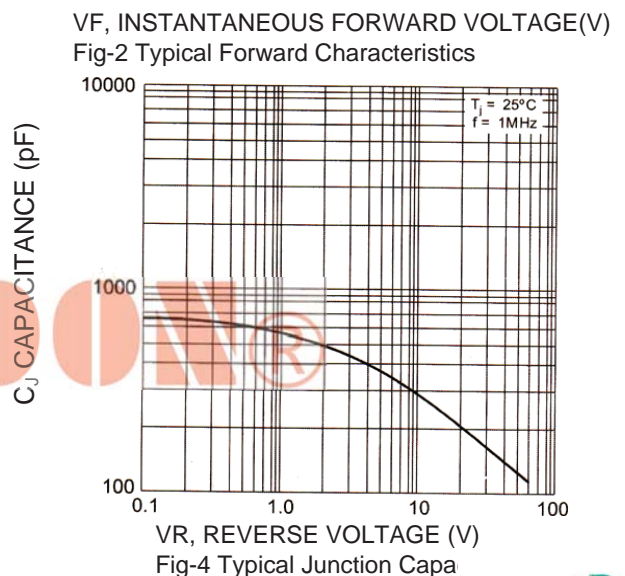
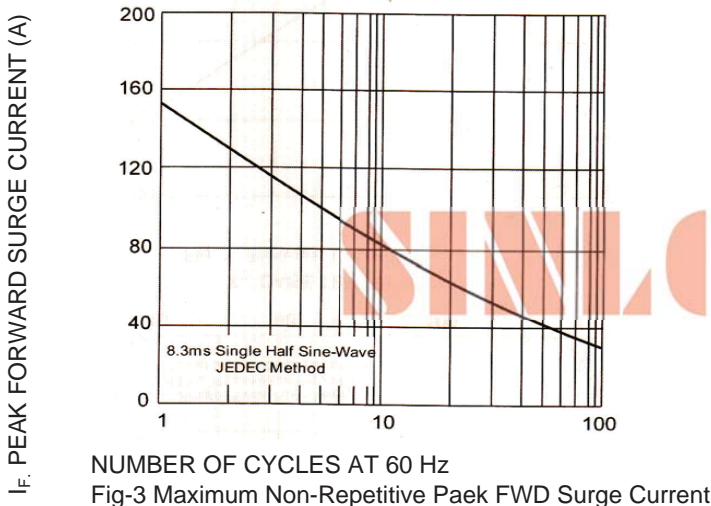
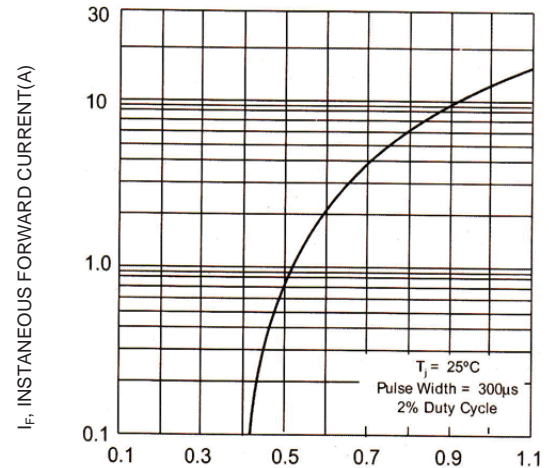
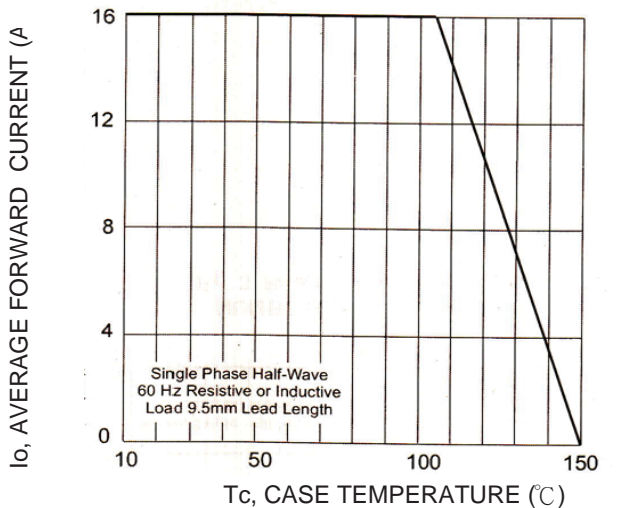
☐ Maximum Ratings and Electrical Characteristics @ $T_A=25^\circ\text{C}$ unless otherwise specified

Single Phase, half wave, 60Hz, resistive or inductive load For capacitive load, derate current by 20%.

Characteristics	Symbol	SB16150DC	SB16200DC	Unit
Peak Repetitive Reverse Voltage	V_{RRM}			
Working Peak Reverse Voltage	V_{RWM}	150	200	V
DC Blocking Voltage	V_R			
RMS Reverse Voltage	$V_{R(RMS)}$	105	140	V
Average Rectified Output Current @ $T_C=105^\circ\text{C}$	I_O	16.0	16.0	A
Non-Repetitive Peak Forward Surge Current 8.3ms Single half sine-wave superimposed on rated load (JEDEC)	I_{FSM}	150	150	A
Forward Voltage @ $I_F=8.0\text{A}$	V_{FM}	0.92	0.92	V
Peak Reverse Current @ $T_A = 25^\circ\text{C}$	I_{RM}	1		mA
At Rated DC Blocking Vol. @ $T_A=100^\circ\text{C}$		50		
Typical Junction Capacitance (Note 1)	C_j	400		pF
Typical Thermal Resistance (Note 2)	$R_{\theta JC}$	2.0		$^\circ\text{C/W}$
Operating and Storage Temperature Range	T_j, T_{STG}	-65 to +150		$^\circ\text{C}$

Note 1: Measured at 1.0 MHz and applied reverse voltage of 4.0V D.C.

Note 2: Mounfed on minimum recommended pad size on FR-4 board.



SINLOON®

肖特基二極管

SB16150DC - SB16200DC

Case: TO-263

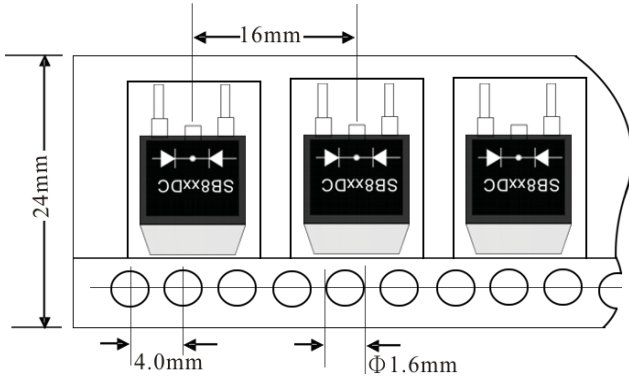
16A High Voltage SMD Dual Schottky Barrier Rectifier

Packaging Information

Reel Dimension (mm)	Quantity (Pcs)	Inner Box Size LxWxH (mm)	Quantity (Pcs)	Carton Size LxWxH (mm)	Quantity (Pcs)	Gross Weight
330	800	340x337x45	1600	370x370x420	6400	15Kg

Note: 1. Paper reel. White or gray color,
2. Components are packed in accordance with EIA standard 481-1 and 481-2

Paper Tape



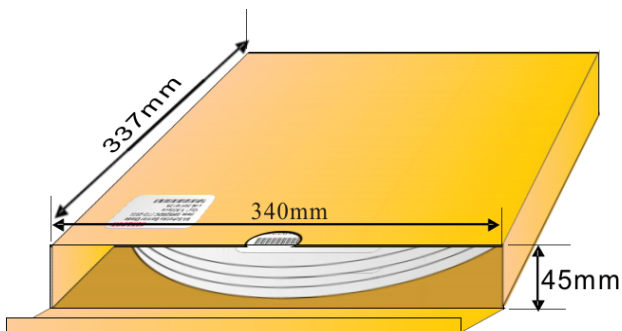
Reel Package

Size: 330 mm



Quantity: 800 pcs

Inner Box



Quantity: 1,600 Pcs

Cartons Package



Quantity: 6,400 Pcs

SINLOON®

※美隆公司產品規格及其特性參數的改變或更新恕不另行通知。

※Mayloon characteristic parameters of electronic product specification changes or updates without notice to improve。

